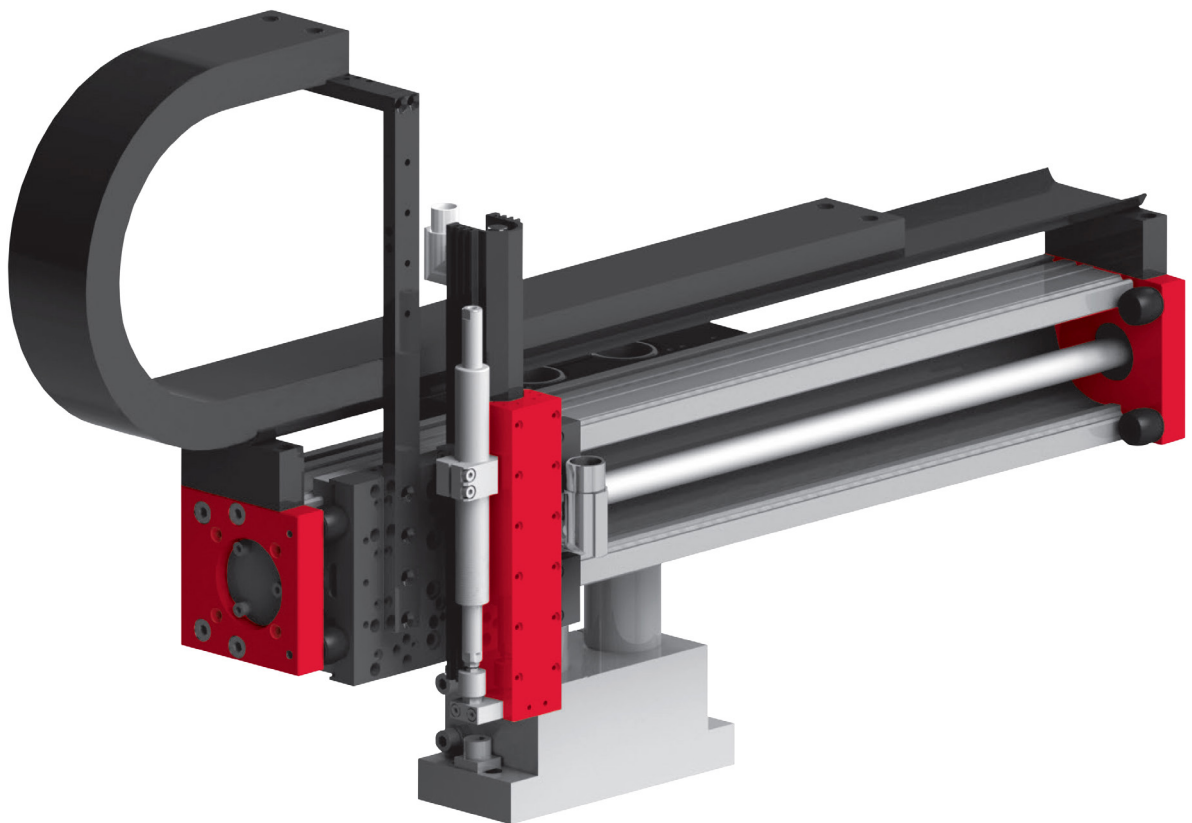


 **afag**

 **eps**

# Electrical handling systems

## EPS midi XZ



- Torsion-stiff X-axis with double guide
- Very high dynamics from motors with 255 N, 550 N and 1000 N peak force
- Light-weight vertical module up to 300 mm stroke

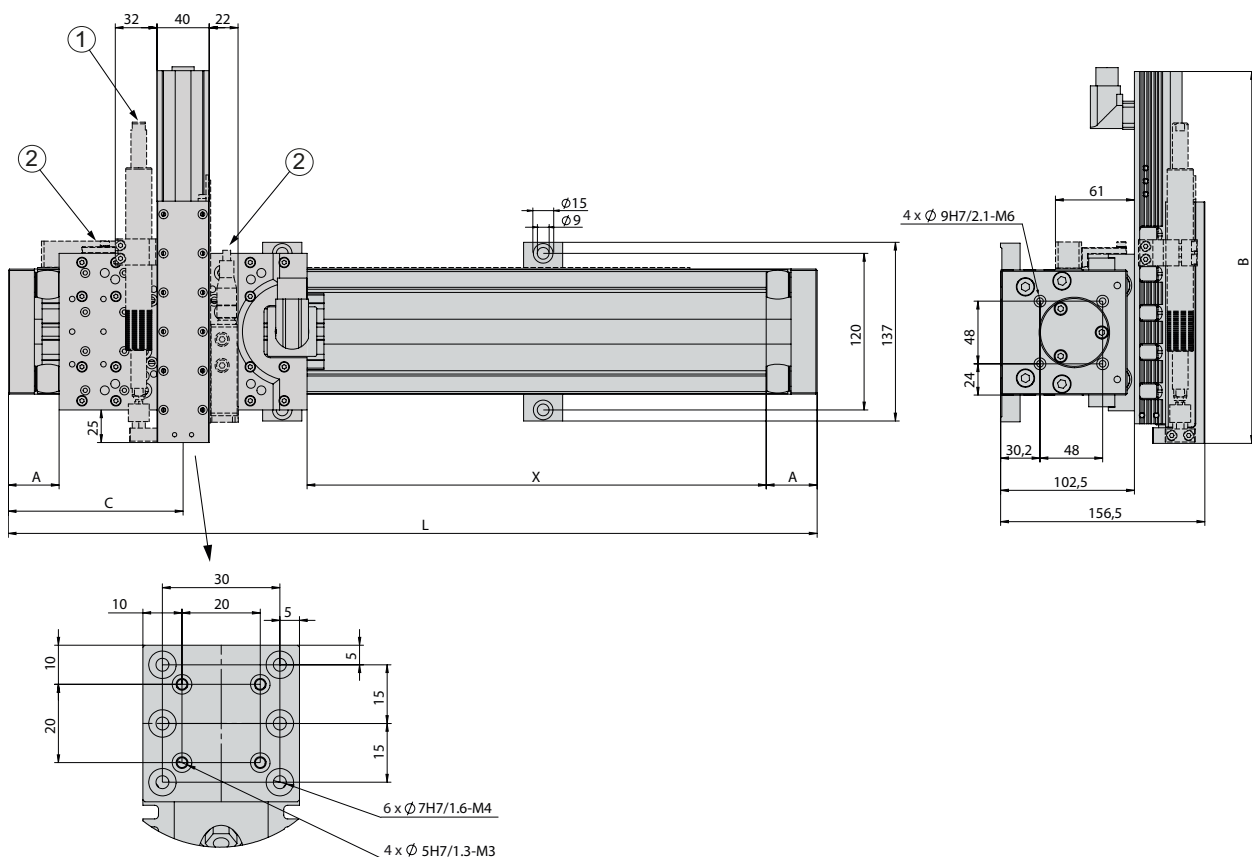
# Dimensions

## EPS midi XZ

Type	A	C	L
PDL30-X-D19	40 mm	134 mm	X + 270 mm
PDL30-X-D20	50 mm	144 mm	X + 290 mm
PDL40-X-D27	49 mm	169 mm	X + 340 mm
PDL40-X-D28	64 mm	182 mm	X + 370 mm
PDL40-X-HP-D27	49 mm	229 mm	X + 460 mm
PDL40-X-HP-D28	64 mm	242 mm	X + 490 mm

Type	B
ES20-50-SL	191.5 mm
ES20-100-SL	285 mm
ES20-200	365 mm
ES20-300	495 mm

- ① - MagSpring
- ② - Path measuring system
- X - Stroke of the X-axis



EPS midi XZ			
<b>Order number</b>	<b>50444432</b>		
Drive type	electrical, linear motor		
Repeat accuracy	± 0.05 mm		
- with external path measuring system (5µm)	± 0.02 mm		
Temperature range	0 ... 50 °C		
Control block with 5/3, 5/2 or vacuum units	up to 6 valves		
Type	X-axis		
Axis	PDL30	PDL40	PDL40-HP
Stroke horizontal	90, 130, 150, 230, 250, 330, 350, 430, 450, 530, 550, 630, 650, 730, 930, 1130, 1330 mm	170, 160, 170, 230, 280, 320, 370, 440, 460, 530, 580, 670, 880, 1060, 1270, 1480, 1660 mm	110, 160, 200, 250, 320, 340, 410, 460, 550, 760, 940, 1150, 1360, 1540 mm
Maximum speed	3.2 m/s	3 m/s	2 m/s
Peak force	255 N	550 N	1024 N
Permanent force	51 N	145 N	203 N
Type	Z-axis		
Axis	ES20	ES20	
Stroke vertical	50 mm	100, 200, 300 mm	
Maximum speed	6.8 m/s	4.8 m/s	
Peak force	67 N	137 N	
Permanent force	15 N	31 N	

### Included in the delivery

- Controller parametrised
- Motor cable
- Hose or drag chain
- Completely wired
- MagSpring
- Spring

### Accessories

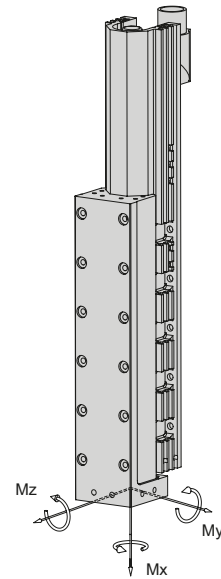
- Console
- Path measuring system
- Rotation modules
- Gripper
- Valve block

Warranty: 24 months following commissioning, but a maximum of 27 months following delivery

# Module stresses

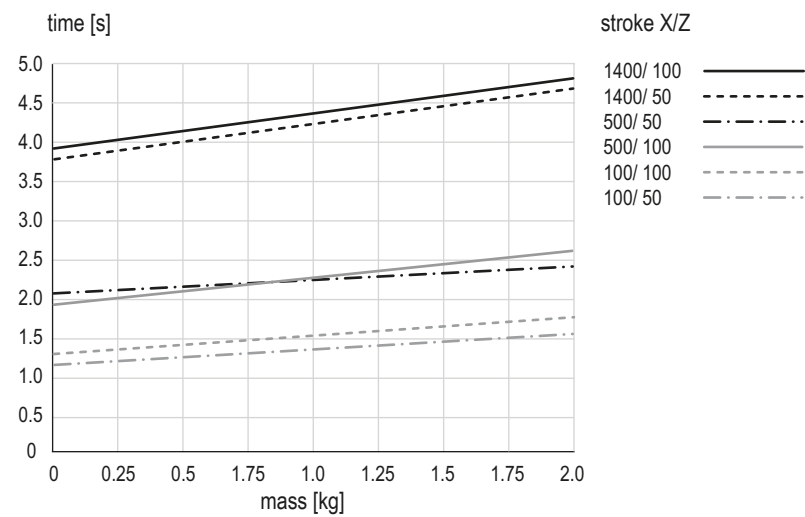
## EPS midi XZ

Type	ES20-SL	ES20
Dynamic torque Mx	5 Nm	5 Nm
Dynamic torque My	25 Nm	50 Nm
Dynamic torque Mz	25 Nm	50 Nm



Payload (centric)	
Stroke X	up to 1660 mm
Stroke Z	
50 mm	3 kg
100 mm	2.5 kg
200 mm	2 kg
300 mm	1.5 kg

### Cycle times EPS midi XZ for Pick & Place



Times including 2 x 100 ms gripping time

**Comment:**

The values in the chart correspond to a Pick-and-Place cycle (6 subsequent movements + 2 x 100 ms gripping time). The indicated mass is centrally installed at the vertical linear unit. Standstill times of handling permit shorter movement times. In exceptions, e.g. at eccentric mass or high requirements to accuracy, the value may be exceeded.



**Handling & Feeding Technology**  
**Afag Automation AG**  
Fiechtenstrasse 32  
CH-4950 Huttwil  
  
T +41 62 959 86 86  
F +41 62 959 87 87  
  
[sales@afag.com](mailto:sales@afag.com)

**Feeding Technology**  
**Afag GmbH**  
Werner-von-Braun-Straße 1  
D-92224 Amberg  
  
T +49 9621 650 27-0  
F +49 9621 650 27-490  
  
[sales@afag.com](mailto:sales@afag.com)

**Handling Solutions**  
**eps GmbH**  
Gewerbestraße 11  
D-78739 Hardt  
  
T +49 7422 560 03-0  
F +49 7422 560 03-29  
  
[info@eps-automation.de](mailto:info@eps-automation.de)