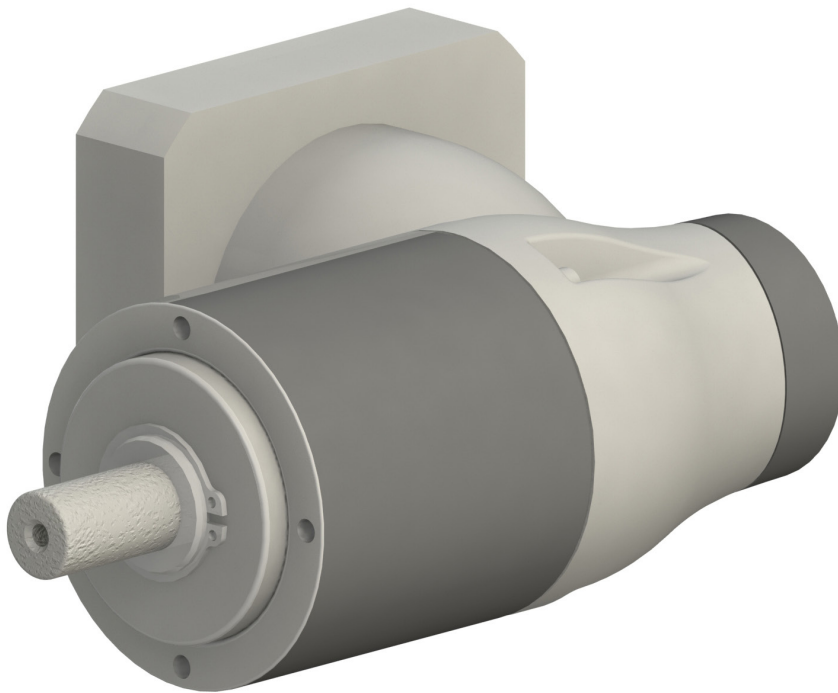
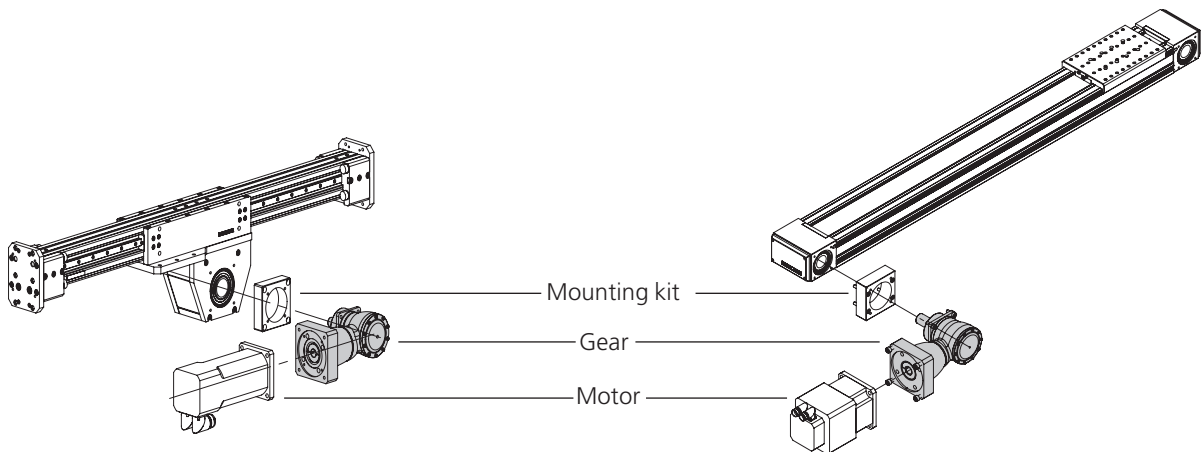


Angular gearbox



Overview Angular gearbox



Gear-Ratio-Size	Order number	OZ-50	OZ-60	PEZ-52	PEZ-65	PEZ-80	PEZ-100	PDZ-128	PDZ-160	PDZ-200	LTM
PER050-i=5-BG2	50477909			x							
PER050-i=7-BG2	50477910			x							
PER050-i=10-BG2	50477911			x							
PER070-i=5-BG3	50477912	x			x	x		x	x		
PER070-i=7-BG3	50477913	x			x	x		x	x		
PER070-i=10-BG3	50477914	x			x	x		x	x		
PER090-i=5-BG4	50477915		x			x	x		x	x	
PER090-i=7-BG4	50477916		x			x	x		x	x	
PER090-i=10-BG4	50477917		x			x	x		x	x	
PER120-i=5-BG5	50477918						x				x
PER120-i=7-BG5	50477919						x				x
PER120-i=10-BG5	50477920						x				x
AFR042-i=5-BG2	50467067			x							
AFR042-i=7-BG2	50467068			x							
AFR042-i=10-BG2	50467069			x							
AFR060-i=5-BG3	50467070	x			x	x		x	x		
AFR060-i=7-BG3	50467071	x			x	x		x	x		
AFR060-i=10-BG3	50467072	x			x	x		x	x		
AFR075-i=40-BG3	50469108										x
AFR075-i=5-BG4	50467073		x			x	x		x	x	
AFR075-i=7-BG4	50467074		x			x	x		x	x	
AFR075-i=10-BG4	50467075		x			x	x		x	x	
AFR100-i=5-BG5	50467076						x				x
AFR100-i=7-BG5	50467077						x				x
AFR100-i=10-BG5	50467078						x				x

Nomenclature planetary gearbox:

PER070-i=5-BG3

PER070: Suitable gear

i=5: Gear ratio

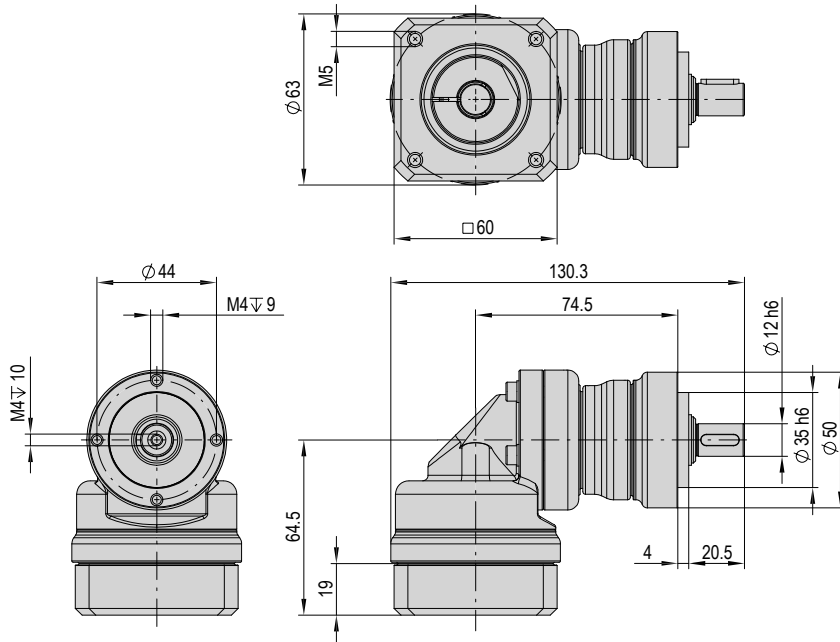
BG3: Suitable motor size

PER: Angular gearbox

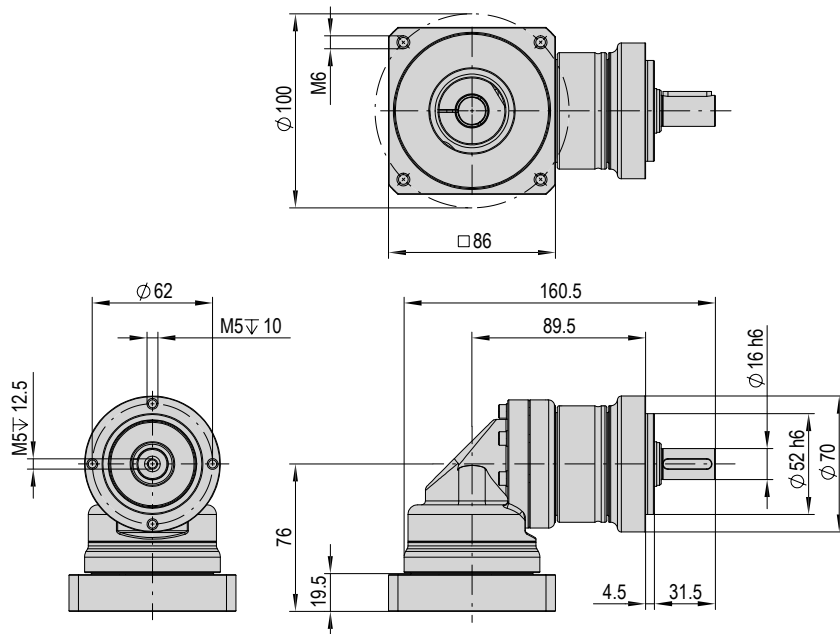
AFR: Angular gearbox low-backlash

Angular gearbox

Angular gearbox PER050	PER050-i=5	PER050-i=7	PER050-i=10
Order number	50477909	50477910	50477911
Net weight	1.5 kg	1.5 kg	1.5 kg
Ratio	i = 5	i = 7	i = 10
Backlash	12' arcmin	12' arcmin	12' arcmin

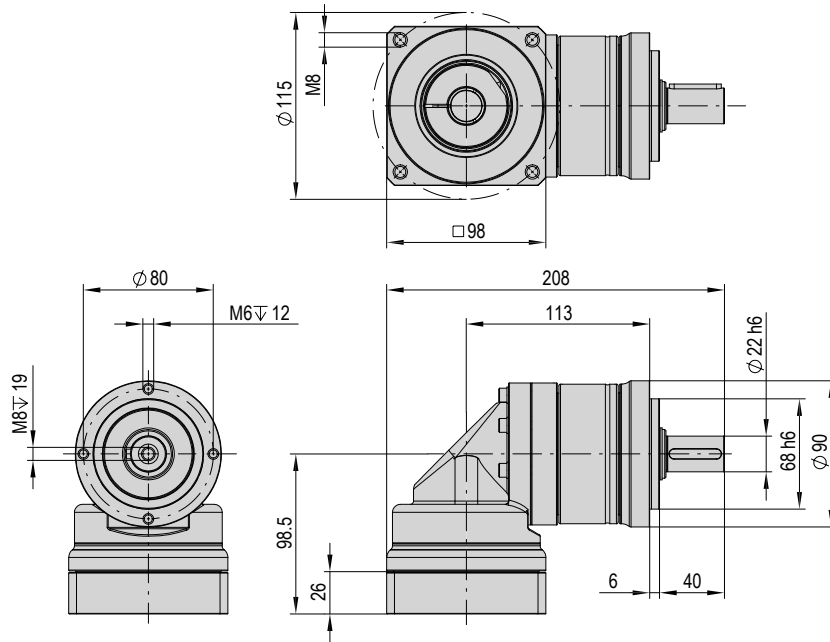


Angular gearbox PER070	PER070-i=5	PER070-i=7	PER070-i=10
Order number	50477912	50477913	50477914
Net weight	3.2 kg	3.2 kg	3.2 kg
Ratio	i = 5	i = 7	i = 10
Backlash	11' arcmin	11' arcmin	11' arcmin

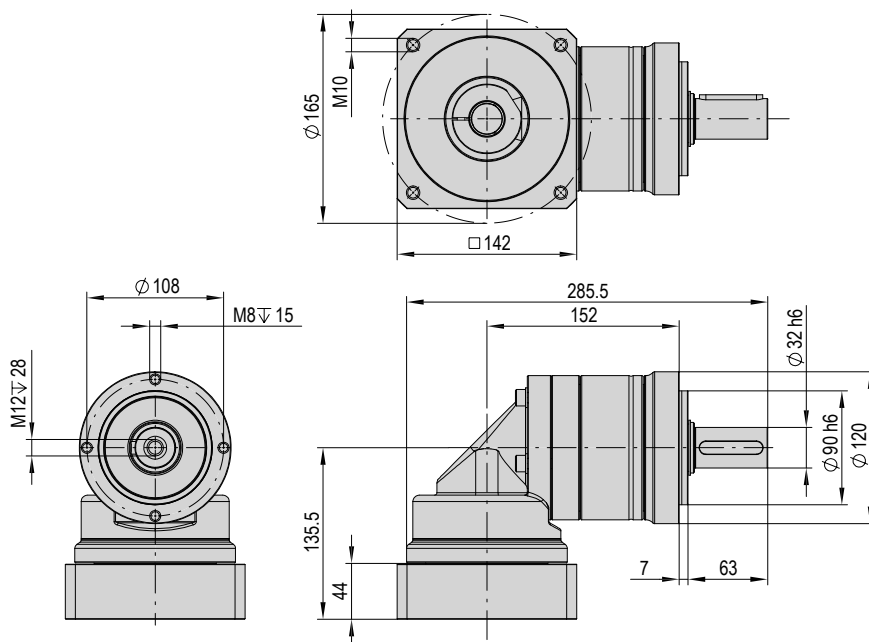


Angular gearbox

Angular gearbox PER090	PER090-i=5	PER090-i=7	PER090-i=10
Order number	50477915	50477916	50477917
Net weight	6.6 kg	6.6 kg	6.6 kg
Ratio	i = 5	i = 7	i = 10
Backlash	10' arcmin	10' arcmin	10' arcmin

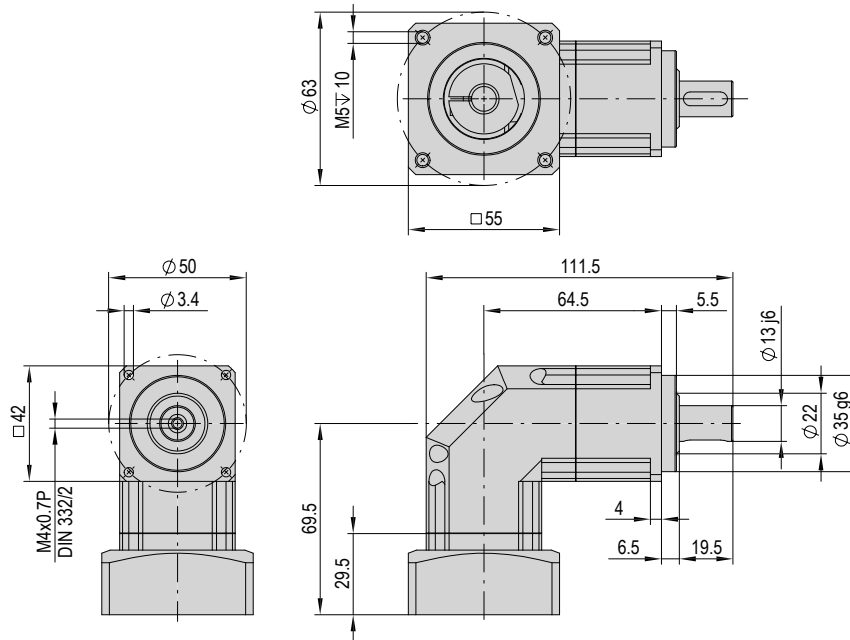


Angular gearbox PER120	PER120-i=5	PER120-i=7	PER120-i=10
Order number	50477918	50477919	50477920
Net weight	16.3 kg	16.3 kg	16.3 kg
Ratio	i = 5	i = 7	i = 10
Backlash	10' arcmin	10' arcmin	10' arcmin

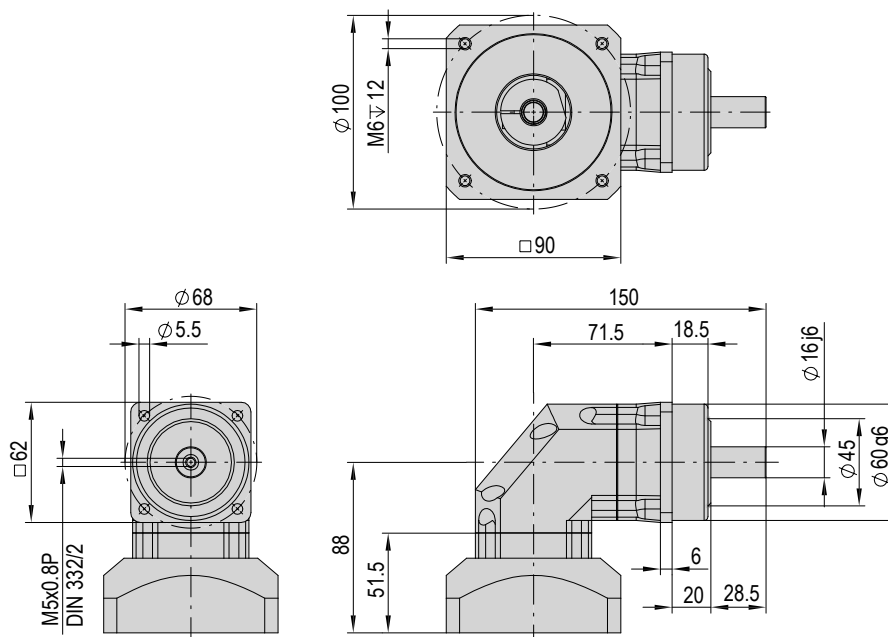


Angular gearbox

Angular gearbox AFR042	AFR042-i=5	AFR042-i=7	AFR042-i=10
Order number	50467067	50467068	50467069
Net weight	0.9 kg	0.9 kg	0.9 kg
Ratio	i = 5	i = 7	i = 10
Backlash	4' arcmin	4' arcmin	4' arcmin



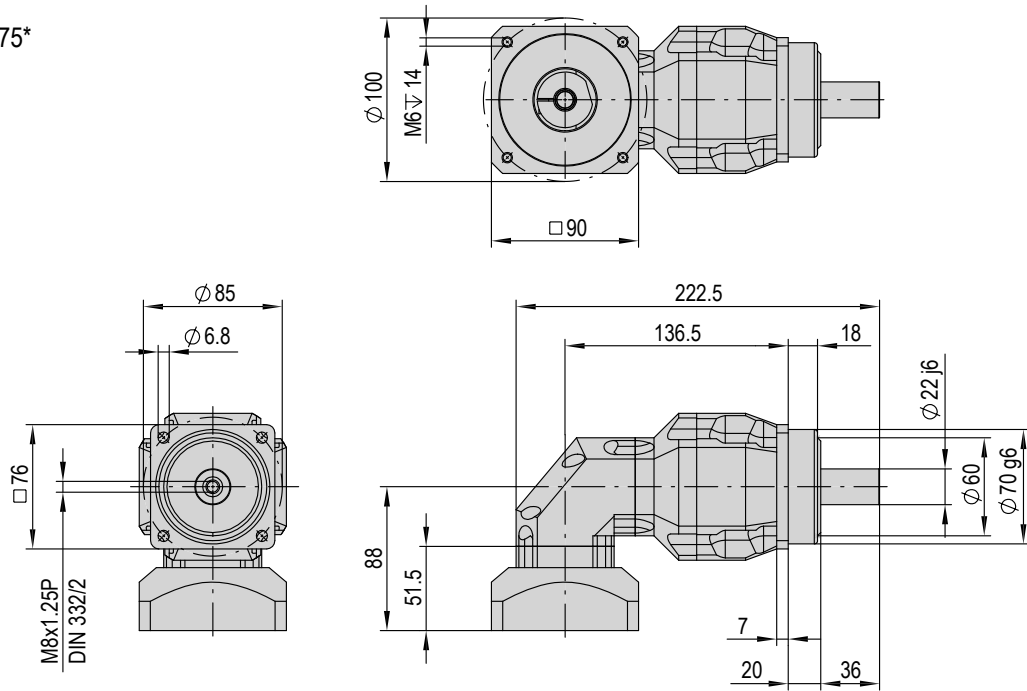
Angular gearbox AFR060	AFR060-i=5	AFR060-i=7	AFR060-i=10
Order number	50467070	50467071	50467072
Net weight	2.1 kg	2.1 kg	2.1 kg
Ratio	i = 5	i = 7	i = 10
Backlash	4' arcmin	4' arcmin	4' arcmin



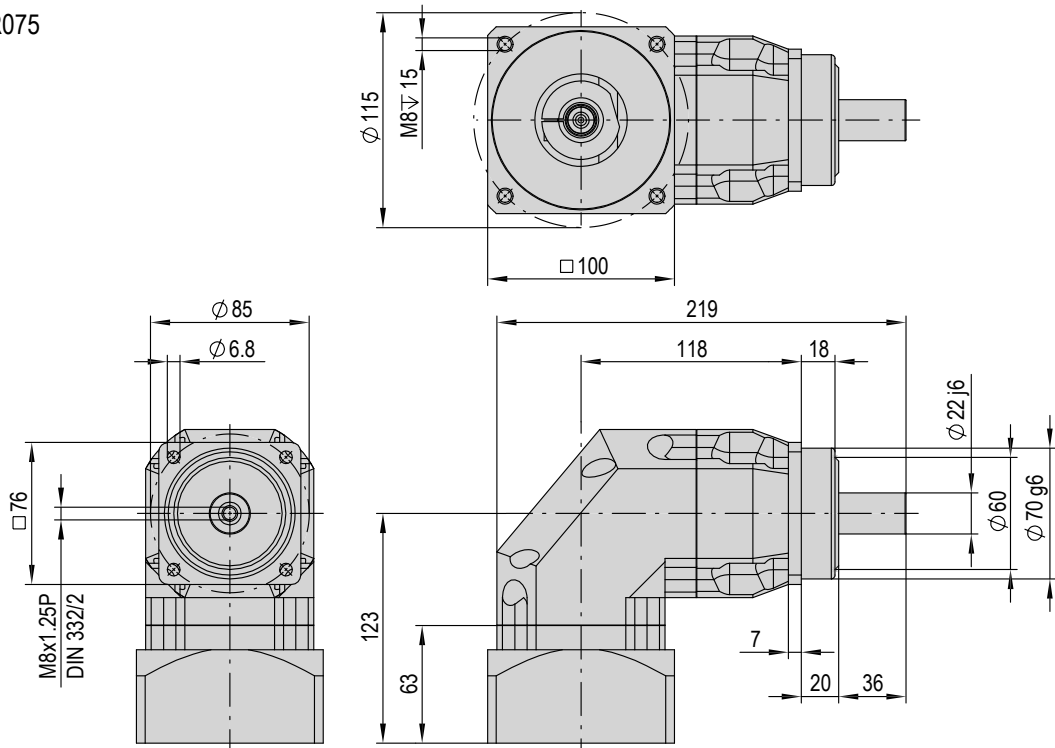
Angular gearbox

Angular gearbox AFR075	AFR075*-i=40	AFR075-i=5	AFR075-i=7	AFR075-i=10
Order number	50469108	50467073	50467074	50467075
Net weight	7.8 kg	6.4 kg	6.4 kg	6.4 kg
Ratio	i = 40	i = 5	i = 7	i = 10
Backlash	7' arcmin	4' arcmin	4' arcmin	4' arcmin

AFR075*



AFR075



Angular gearbox

Angular gearbox AFR100	AFR100-i=5	AFR100-i=7	AFR100-i=10
Order number	50467076	50467077	50467078
Net weight	13.9 kg	13.9 kg	13.9 kg
Ratio	i = 5	i = 7	i = 10
Backlash	4' arcmin	4' arcmin	4' arcmin

