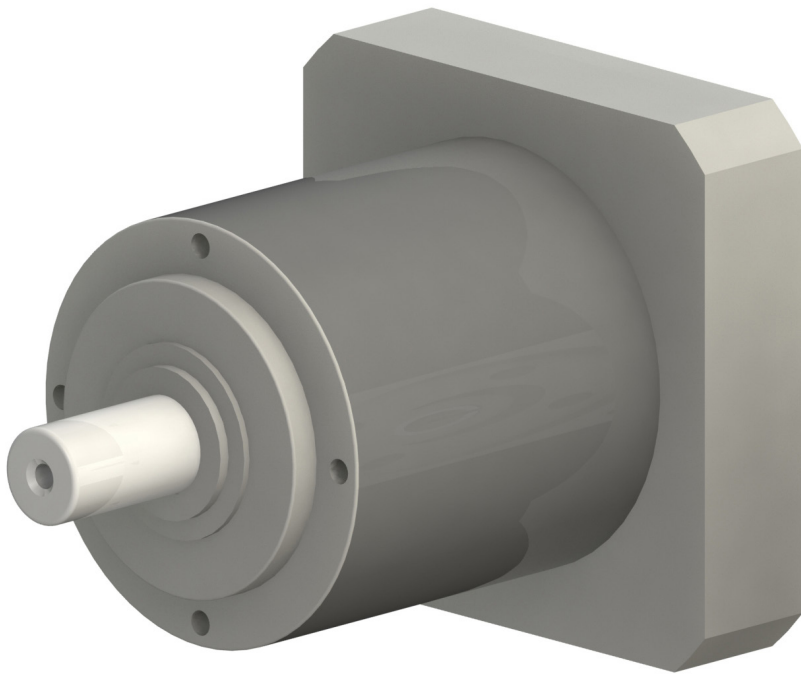
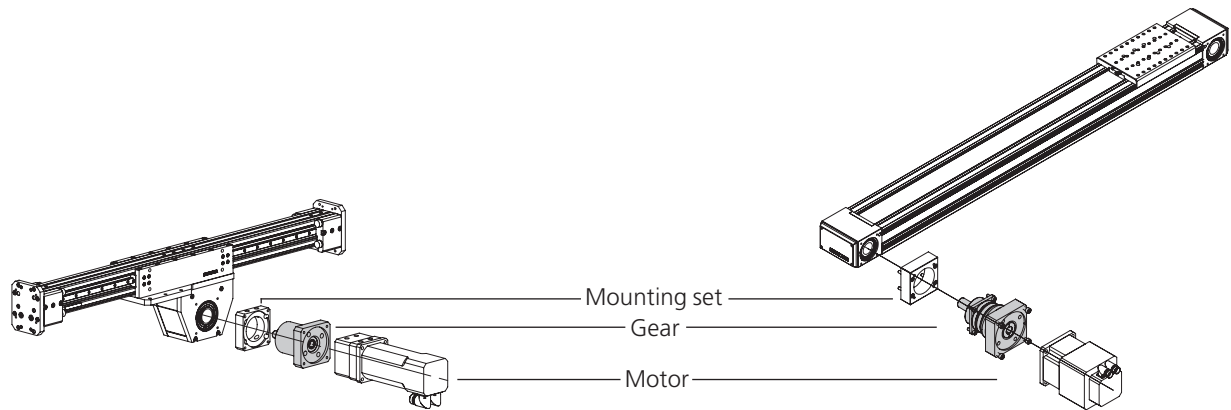


Planetary gearbox



Overview planetary gearbox



Gear-Ratio-Size	Order number	OZ-50	OZ-60	PEZ-52	PEZ-65	PEZ-80	PEZ-100	PDZ-128	PDZ-160	PDZ-200	LTM
PE050-i=5-BG2	50477897			X	X			X			
PE050-i=7-BG2	50477898			X	X			X			
PE050-i=10-BG2	50477899			X	X			X			
PE070-i=5-BG3	50477900	X			X	X		X	X		
PE070-i=7-BG3	50477901	X			X	X		X	X		
PE070-i=10-BG3	50477902	X			X	X		X	X		
PE090-i=5-BG4	50477903		X			X	X		X	X	
PE090-i=7-BG4	50477904		X			X	X		X	X	
PE090-i=10-BG4	50477905		X			X	X		X	X	
PE120-i=5-BG5	50477906						X				X
PE120-i=7-BG5	50477907						X				X
PE120-i=10-BG5	50477908						X				X
AF042-i=5-BG2	50467055			X							
AF042-i=7-BG2	50467056			X							
AF042-i=10-BG2	50467057			X							
AF060-i=5-BG3	50467058	X			X	X		X	X		
AF060-i=7-BG3	50467059	X			X	X		X	X		
AF060-i=10-BG3	50467060	X			X	X		X	X		
AF075-i=40-BG3	50458160										X
AF075-i=5-BG4	50467061		X			X	X		X	X	
AF075-i=7-BG4	50467062		X			X	X		X	X	
AF075-i=10-BG4	50467063		X			X	X		X	X	
AF100-i=5-BG5	50467064						X				X
AF100-i=7-BG5	50467065						X				X
AF100-i=10-BG5	50467066						X				X

Nomenclature planetary gearbox:

PE070-i=5-BG3

PE070: Suitable gear

i=5: Gear ratio

BG3: Suitable motor size

PE: Planetary gearbox

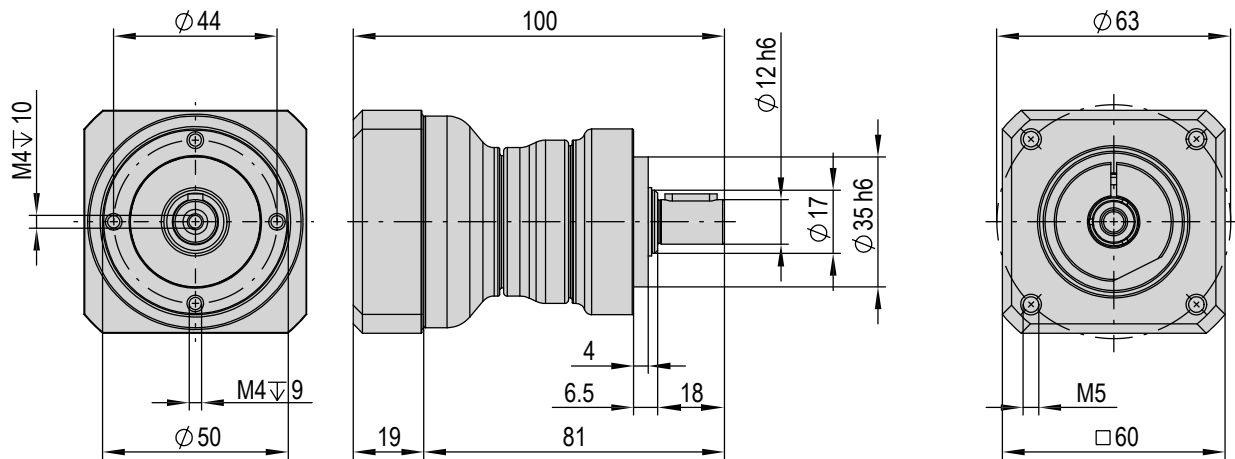
PER: Angular gearbox

AF: Planetary gearbox low-backlash

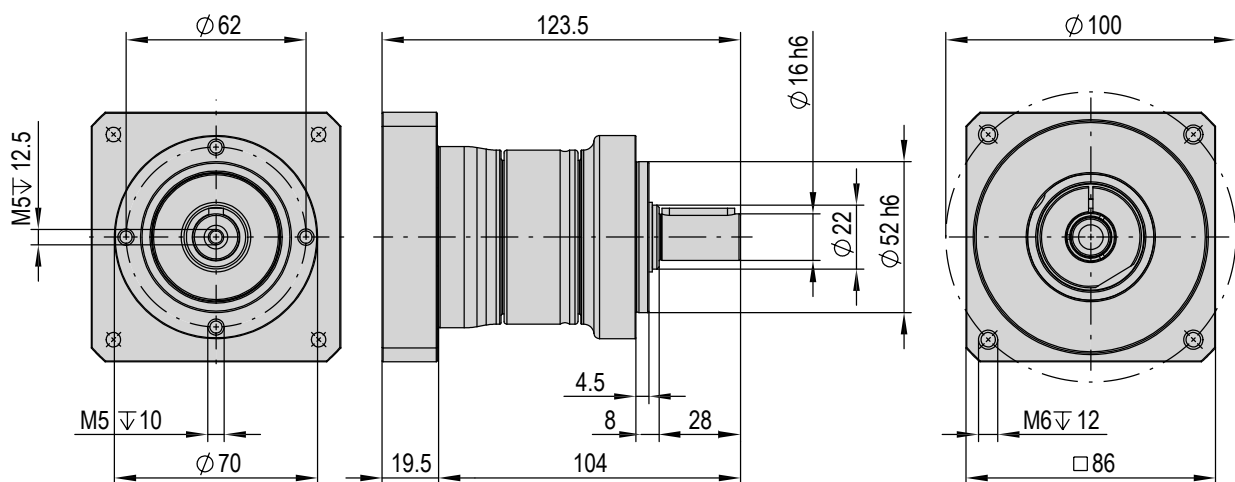
AFR: Angular gearbox low-backlash

Planetary gearbox

Planetary gearbox PE050	PE050-i=5	PE050-i=7	PE050-i=10
Order number	50477897	50477898	50477899
Net weight	1 kg	1 kg	1 kg
Ratio	i = 5	i = 7	i = 10
Backlash	8' arcmin	8' arcmin	8' arcmin

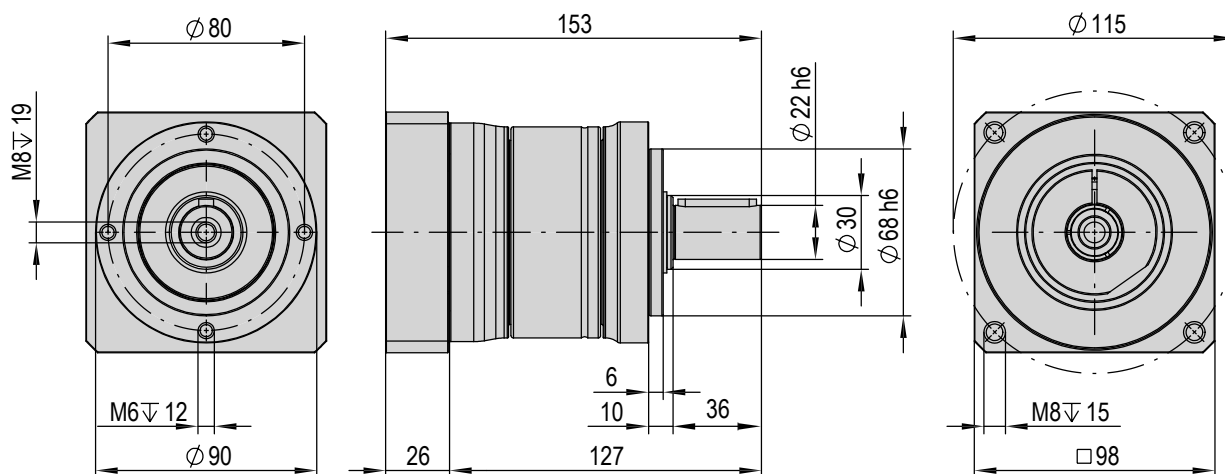


Planetary gearbox PE070	PE070-i=5	PE070-i=7	PE070-i=10
Order number	50477900	50477901	50477902
Net weight	2.2 kg	2.2 kg	2.2 kg
Ratio	i = 5	i = 7	i = 10
Backlash	7' arcmin	7' arcmin	7' arcmin



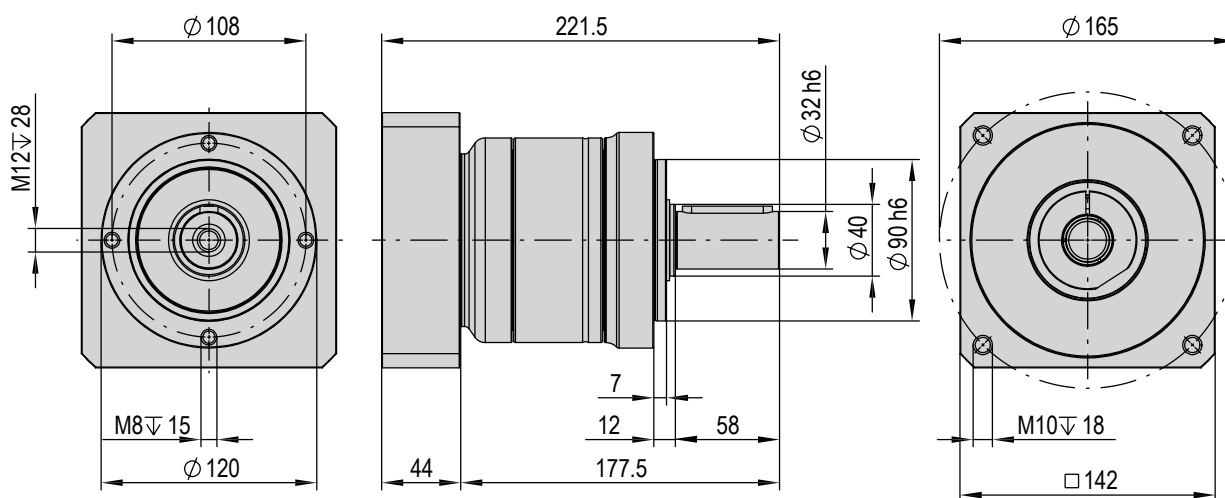
Planetary gearbox

Planetary gearbox PE090	PE090-i=5	PE090-i=7	PE090-i=10
Order number	50477903	50477904	50477905
Net weight	4.5 kg	4.5 kg	4.5 kg
Ratio	i = 5	i = 7	i = 10
Backlash	6' arcmin	6' arcmin	6' arcmin



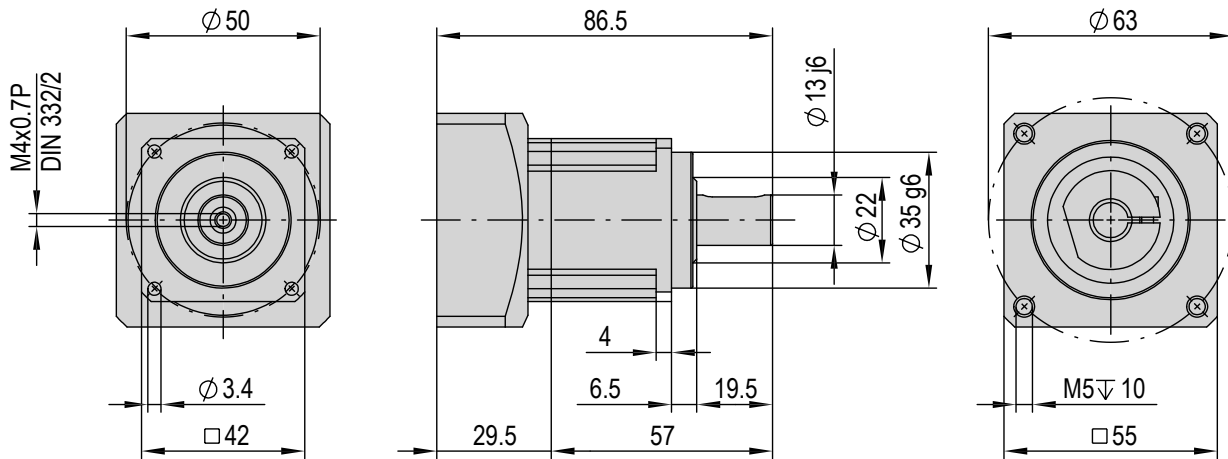
8

Planetary gearbox PE120	PE120-i=5	PE120-i=7	PE120-i=10
Order number	50477906	50477907	50477908
Net weight	12.2 kg	12.2 kg	12.2 kg
Ratio	i = 5	i = 7	i = 10
Backlash	6' arcmin	6' arcmin	6' arcmin

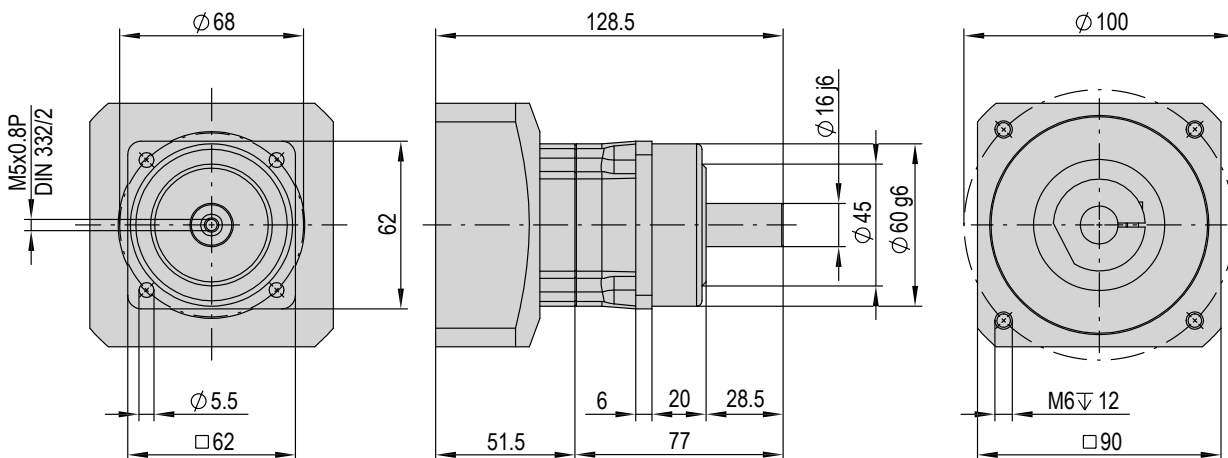


Planetary gearbox

Planetary gearbox AF042	AF042-i=5	AF042-i=7	AF042-i=10
Order number	50467055	50467056	50467057
Net weight	0.6 kg	0.6 kg	0.6 kg
Ratio	i = 5	i = 7	i = 10
Backlash	3' arcmin	3' arcmin	3' arcmin



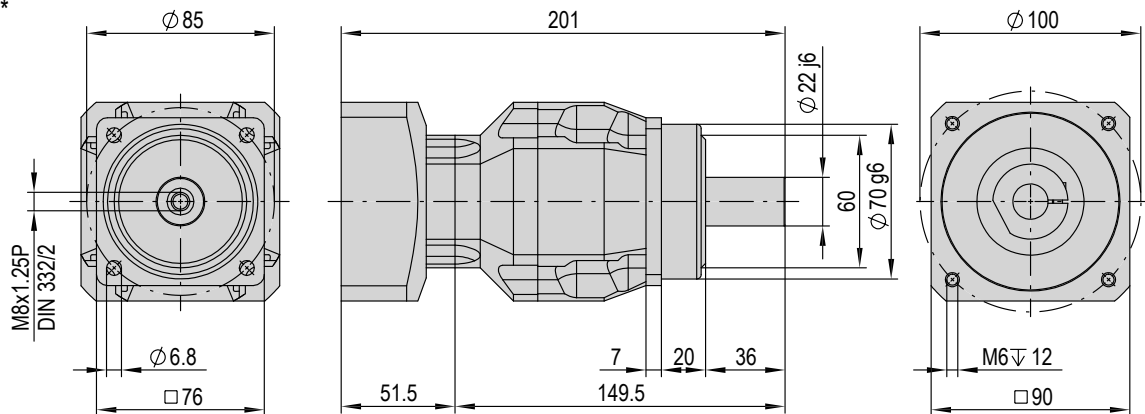
Planetary gearbox AF060	AF060-i=5	AF060-i=7	AF060-i=10
Order number	50467058	50467059	50467060
Net weight	1.3 kg	1.3 kg	1.3 kg
Ratio	i = 5	i = 7	i = 10
Backlash	3' arcmin	3' arcmin	3' arcmin



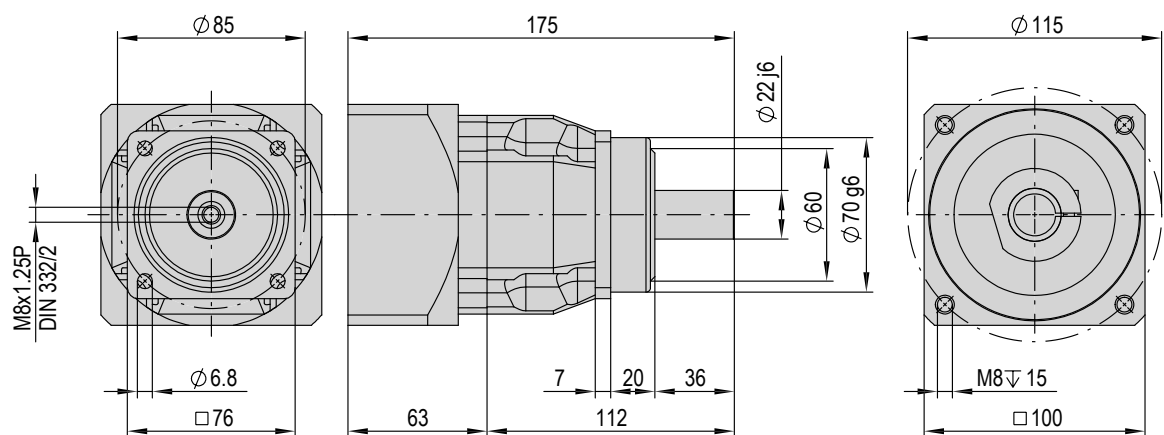
Planetary gearbox

Planetary gearbox AF075	AF075*-i=40	AF075-i=5	AF075-i=7	AF075-i=10
Order number	50458160	50467061	50467062	50467063
Net weight	6.9 kg	3.7 kg	3.7 kg	3.7 kg
Ratio	i = 40	i = 5	i = 7	i = 10
Backlash	5' arcmin	3' arcmin	3' arcmin	3' arcmin

AF075*



AF075



Planetary gearbox

Planetary gearbox AF100	AF100-i=5	AF100-i=7	AF100-i=10
Order number	50467064	50467065	50467066
Net weight	6.9 kg	6.9 kg	6.9 kg
Ratio	i = 5	i = 7	i = 10
Backlash	3' arcmin	3' arcmin	3' arcmin

