

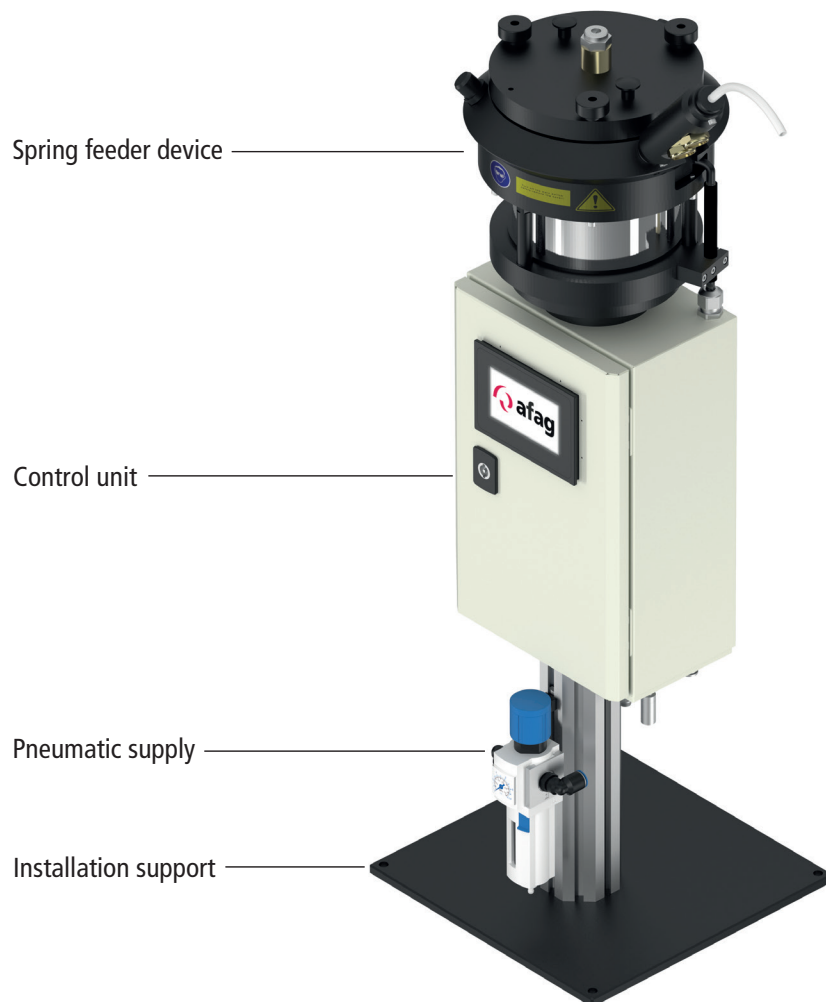
# Untangling solutions

## Smart-FEG

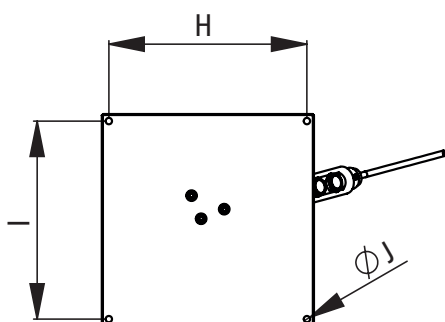
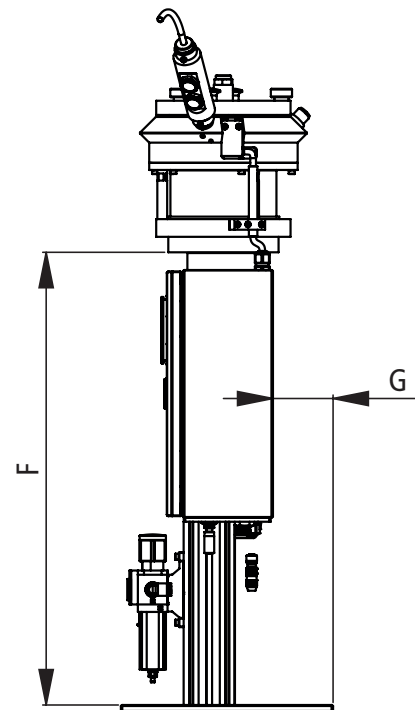
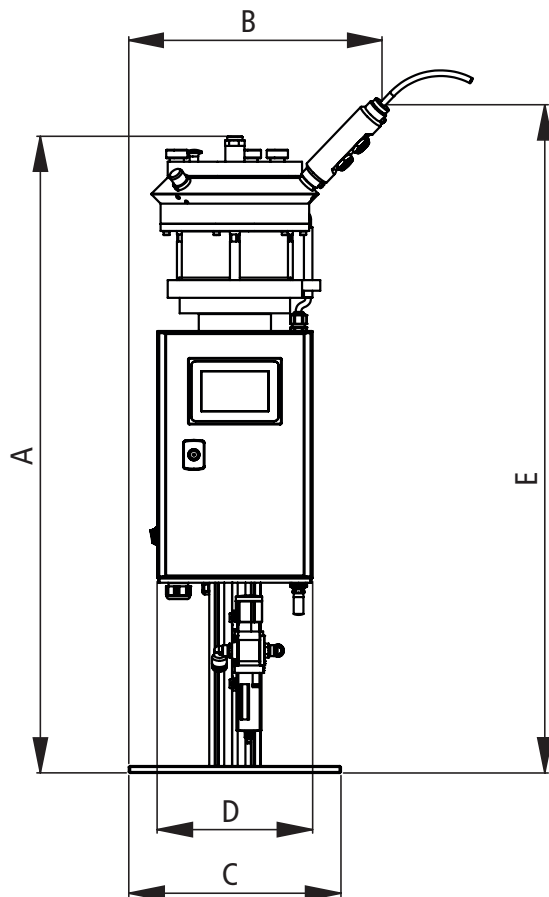


- Process-sure untangling of pressure springs at manual or automatic operation, up to 6 outlets and up to 2 automatic separators available
- Integrated control with 24V power supply and free adjustable whirling, resting and back blow times
- Compact construction, low installation effort and intuitive operating interface for simple integration and commissioning

### Overview



Type	FEG
A	912 mm
B	370 mm
C	300 mm
D	220 mm
E	950 mm
F	640 mm
G	85 mm
H	280 mm
I	280 mm
ØJ	9 mm



Type	FEG
<b>Ordner number</b>	<b>on demand</b>
Supply voltage	24 VDC
Current input	max. 2 A
Protection fuse in device (clamps)	T2 A
Mains fuse	10 A
Control voltage	24 VDC
Protection class	54 IP
Compressed air supply	min. 6 up to max. 10 bar
Operating pressure internal	5 bar setted ex works
Quality of compressed air	Dry (free of condensed water and oil) (5 µm filter)
Air consumption at 100% operation	effectively 0.55 m <sup>3</sup> /min
Store temperature	0 - 45 °C
Operating temperature	15 - 40 °C
Weight (device only)	20 kg