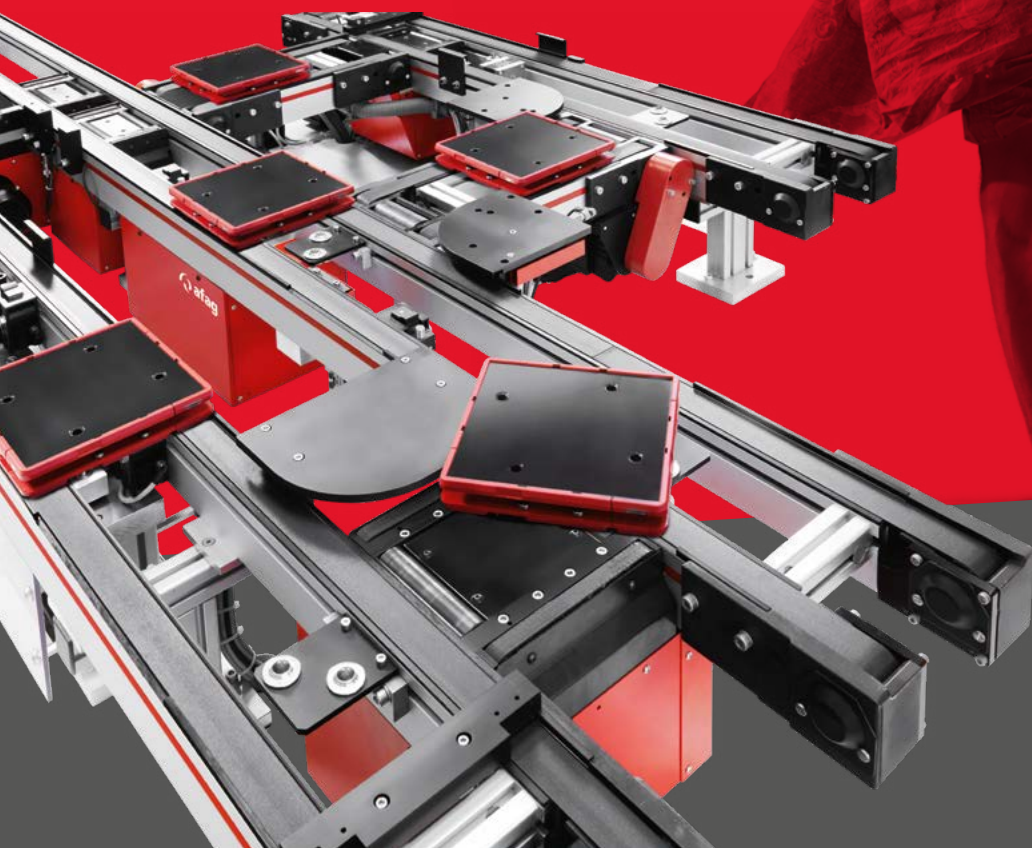




L T S
Linear
Transfer
System
**Fascinating
Movement.**
Yesterday. Today. Tomorrow.



LTS - Linear Transfer System



The Linear Transfer System, short LTS, is suitable for all common assembly and joining work as well as processing from below. The addition of automatic stations is possible on the longitudinal and transverse tracks of the LTS. If required, cycle-independent workstations can also be set up along the transport system. Cycle time-critical work content is carried out simultaneously and individually supplied with workpiece carriers. The LTS is built from a modular system comprising standardized individual components which practically enables any system configuration imaginable.

Features Your advantages

- › Maintenance-free
- › Intuitively configurable
 - › Reliable
 - › Durable
 - › Precise
- › Long service life and safety in the production process
- › Maximum user and conversion flexibility in system configuration
- › Freely available CAD drawings for optimum integration in customer projects
- › On-schedule, short delivery times
- › Clear prices due to modular structure
- › to pre-assembly by Afag, very simple installation and commissioning at the customer site: All components are pre-assembled.

The most important components

