



New Products  
**2019**

**Fascinating  
Movement.**

Yesterday. Today. Tomorrow.



# New products 2019

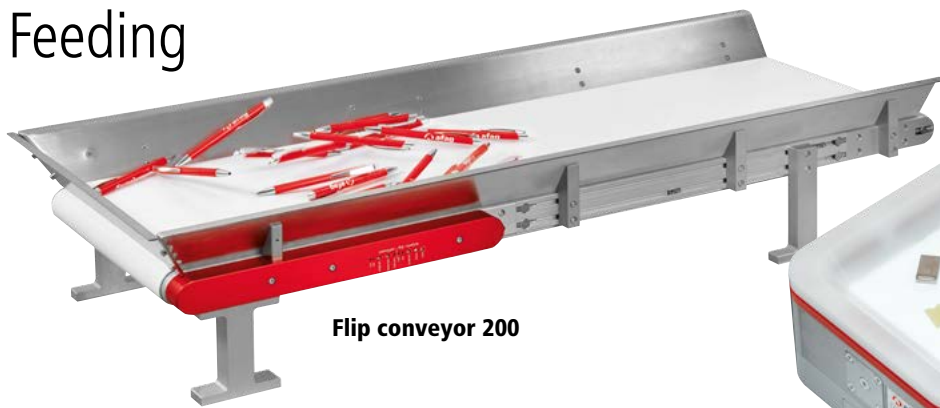
As a leading supplier, Afag has more than 60 years of experience in developing and manufacturing components and systems for the assembly automation sectors. The thousands of handling, feeding and transportation systems sold by Afag are tangible evidence of the very good quality and reliability of our products. With our expertise and great solutions, we can bring much more movement into your operational processes.

In 2019, the Afag Group once again introduced innovations for the global automation industry. See for yourself - our latest highlights are waiting to be discovered by you.

## Your advantages:

- › Support in all process steps from Afag (analysis of requirements, conceptualization, design, constructive integration, initial start-up)
- › A one-stop shop - feeding, handling and transport
- › Constant, consistent quality through the end-to-end reproducibility of the products
- › Product training courses on customer premises or at one of our locations
- › Free downloads of CAD models
- › Support by a worldwide network of subsidiaries and sales partners

## Feeding



**Flip conveyor 200**

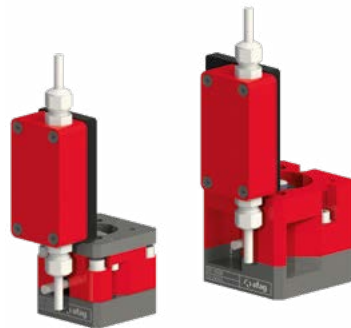


**aflex 200 qc**

## Handling



**Spindler axis  
SA-1-FL, SA-3-FL, SA-6-FL**

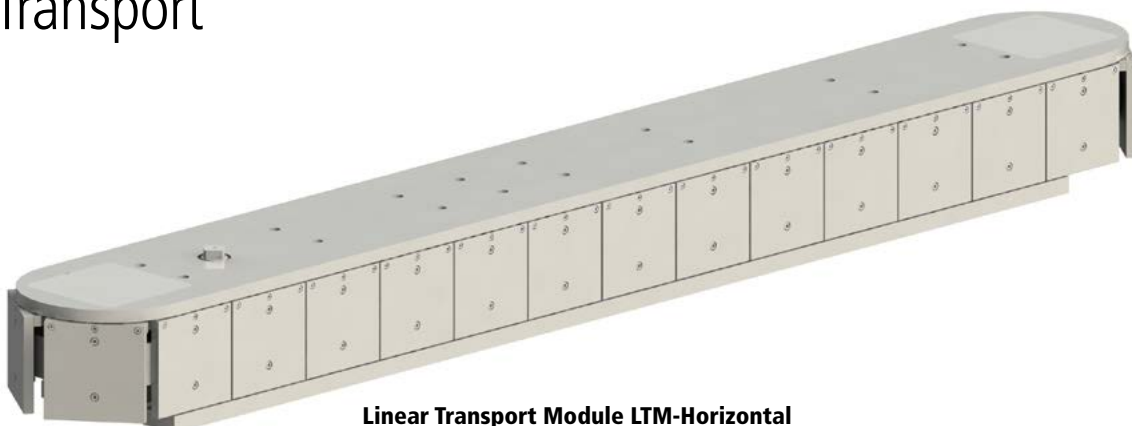


**Force measuring units  
KE-200N & KE-1000N**



**Handling systems  
EPS giga YZ & EPS tera YZ**

## Transport



**Linear Transport Module LTM-Horizontal**

## Feeding Technology

Back in 2018 the new flexible components aflex 150 qc and flip conveyor 300 were unveiled. Now these larger product variants are rounding off the portfolio.

### aflex 200 qc



#### Description

- › Targeted control of intensity and frequency
- › Parts can be flipped vertically or horizontally in all directions

#### Possible applications

- › Manipulation and presentation of parts in flexible feeders
- › 3-dimensional handling of conveyed materials

#### Backlighting

- › Red or white

#### Conveyor sheet

- › Quick-change
- › One-piece design of sheet and frame
- › Enables manual quick emptying

#### Control

- › Modular design
- › Standard system:
  - › 1x control unit
  - › 2x T4X driver modules
  - › 1x aflexConfigurator2
- › Freely expandable by field bus modules

### Flip conveyor 200



#### Description

- › Provision of larger and heavier parts than was possible with aflex qc
- › Parts are flipped until the right position is reached for passing to the next station

#### Possible applications

- › Handling and presentation of parts in flexible feeders

#### Transport belt

- › White or black

#### Drive unit

- › Continuously variable belt drive
- › Continuously variable flip drives
- › Scope for fast emptying

#### Stainless steel funnel

- › Prevents materials being conveyed from falling

## Handling Technology Components & Accessories

The Afag handling technology module is being extended continuously to include more components. This means that the right product can be found for each application.

### Spindle axis SA-1-FL, SA-3-FL, SA-6-FL



#### Description

- › Compact spindle axis with high force in a small space
- › Supplement to the SA axis range
- › More force with the same module geometry as conventional SA axes

#### Possible applications

- › Powerful and very precise feed movements
- › In combination with the new force measuring units KE-200N and KE-1000N

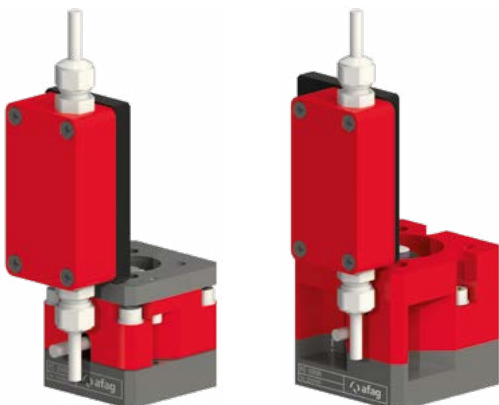
#### Properties

- › Peak force of up to 600 N
- › Max. speed of 0.6 m/s
- › Variable stroke lengths of 50-300 mm
- › Precise repeatability of  $\pm 0.01$  mm

#### Advantages

- › More options and flexibility in axis design
- › Increase in bulk pinning force
- › Suitable for all installation locations

### Force measuring unit KE-200N & KE-1000N



#### Description

- › Monitors different, precise force procedures
- › Cost-effective alternative to oversized press monitoring systems

#### Possible applications

- › Testing of springs
- › Bending
- › Clamping
- › Pressing in
- › Clipping in

#### Properties

- › Compact design
- › Force range of 5 to 1000 N measurable
- › Directly adaptable to standard linear components, e.g. SA axes

#### Control

- › Profibus
- › Profinet
- › Canopen
- › Ethercat

# Handling systems

The right YZ system for every application. The new EPS giga YZ and EPS tera YZ systems round off the product range, which now includes nine YZ standard systems at the upper end of the force range.

## EPS giga YZ & EPS tera YZ



### EPS giga YZ

- › Press-in forces of up to 255 N
- › For payloads of up to 15 kg



### EPS tera YZ

- › Press-in forces of up to 1024 N
- › For payloads of up to 20 kg

### Description

- › New YZ handling systems for moving of high payloads
- › Fast and powerful

### Possible applications

- › Pressing in
- › Moving of heavy payloads
- › Precise positioning in larger work areas (complete retraction of the system is possible)
- › **Example:** 10 kg in 1.5 seconds in a Pick & Place cycle of YZ 100 mm/100 mm incl. 2x100 ms gripper time

### Our systems offer

- › Completely wired and piped systems - from console to gripper jaws
- › Configuration and test run with your parameters
- › Design including cycle time guarantee
- › Freely configurable CAD data available online
- › Other system variants on request

### Advantages

- › Peak forces of up to 1024 N
- › Maximum payload in system: Movement of payloads of up to 20 kg with a precision of +/-0.02 mm
- › Shortest cycle times through weight compensation (Z stroke of up to 500 mm is available)

### Model type

- › Narrow width of just 180 mm including energy chain, path measuring system and weight compensation
- › Lowest standard systems in their class with Z stroke of 500 mm incl. energy chain
- › Very high YZ rigidity with optimized carriage contour

### Control

- › Activation possible using all common bus systems
- › External path measuring system available as an option
- › Safely limited speed (SLS) available as an option



## Transport systemes

A horizontal version of the LTM Linear Transport Module is now also available.

### Linear Transport Module LTM-Horizontal



#### Description

- › Fast-indexing linear transport module for many work steps in a small space

#### Possible applications

- › Compact build of assembly systems with high indexing power
- › Space-saving alternative to the rotary indexing table, also for applications from below

#### Advantages

- › Short changeover times for workpiece carriers, so more time available for each application
- › No re-clamping of the toothed belt is needed, which prevents the need for readjustment at the stations, which in turn avoids the need for a system shutdown
- › Superlative system accessibility

#### Model type

- › Modular and flexible
- › Cost-effective build
- › Small, space-saving basic surface provides a great process power-to-size ratio
- › Different lengths of 720 - 3720 mm are possible
- › Low moved mass (therefore a relatively small drive)

#### Motor & controller

- › Open motor interface (mounting of different motors is possible)
- › Energy-saving (only a small motor is needed) due to the low moved mass



**Handling and feeding technology**  
**Afag Automation AG**

Fiechtenstrasse 32  
4950 Huttwil  
Switzerland

T +41 62 959 86 86  
sales@afag.com

**Feeding technology**  
**Afag GmbH**

Wernher-von-Braun-Straße 1  
92224 Amberg  
Germany

T +49 9621 650 27-0  
sales@afag.com

**Handling systems**  
**eps GmbH**

Gewerbestraße 11  
78739 Hardt  
Germany

T +49 7422 560 03-0  
info@eps-automation.de

**Afag Automation North America**  
**Schaeff Machinery & Services LLC.**

820 Fessler's Parkway, Suite 210  
Nashville, TN 37210  
USA

T +1 (615) 730-7515  
nashville@afag.com

**Afag Automation Asia**  
**Afag Automation Technology (Shanghai) Co., Ltd.**

Room 102, 1/F, Bldg. 56, City Of Elite  
No.1000, Jinhai Road, Pudong New District  
Shanghai, 201206  
China

T +86 021 58958065  
shanghai@afag.com

**Engineering**  
**Technisches Büro Pöhler GmbH**

Gottlieb-Daimler-Straße 43  
89150 Laichingen  
Germany

T +49 7333 9614-0  
info@tb-poehler.de

**Engineering**  
**TBK GmbH**

Friedrich-Bauer-Str. 27  
73642 Welzheim  
Germany

T +49 7182 93690-0  
info@tbk-gmbh.eu

V01

