

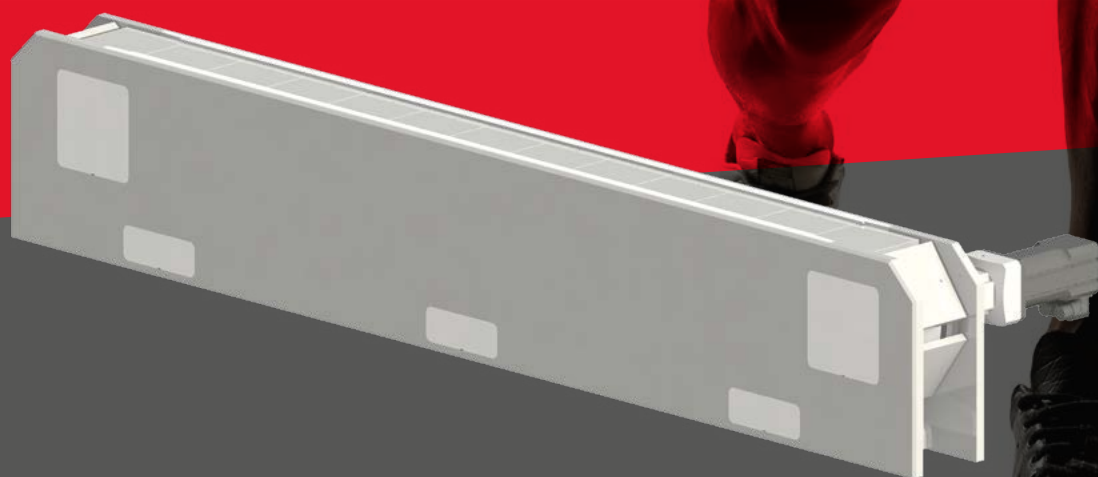


L T M

– The compact
transport module

**Fascinating
Movement.**

Yesterday. Today. Tomorrow.



LTM – fast-cycling linear transport module

The LTM is a rapidly cycling linear transport module with fixed workpiece carrier plates that permits high machine outputs depending on the design of the Pick & Place stations. The transition times for workpiece carrier transport is reduced to a minimum.

The dimensions of the linear transport module are according to the mounting parts to be transported. They determine the working length as well as the width of the workpiece carriers. There are two workpiece carrier widths available: The LTM length is defined by the installation of middle modules.

LTM features

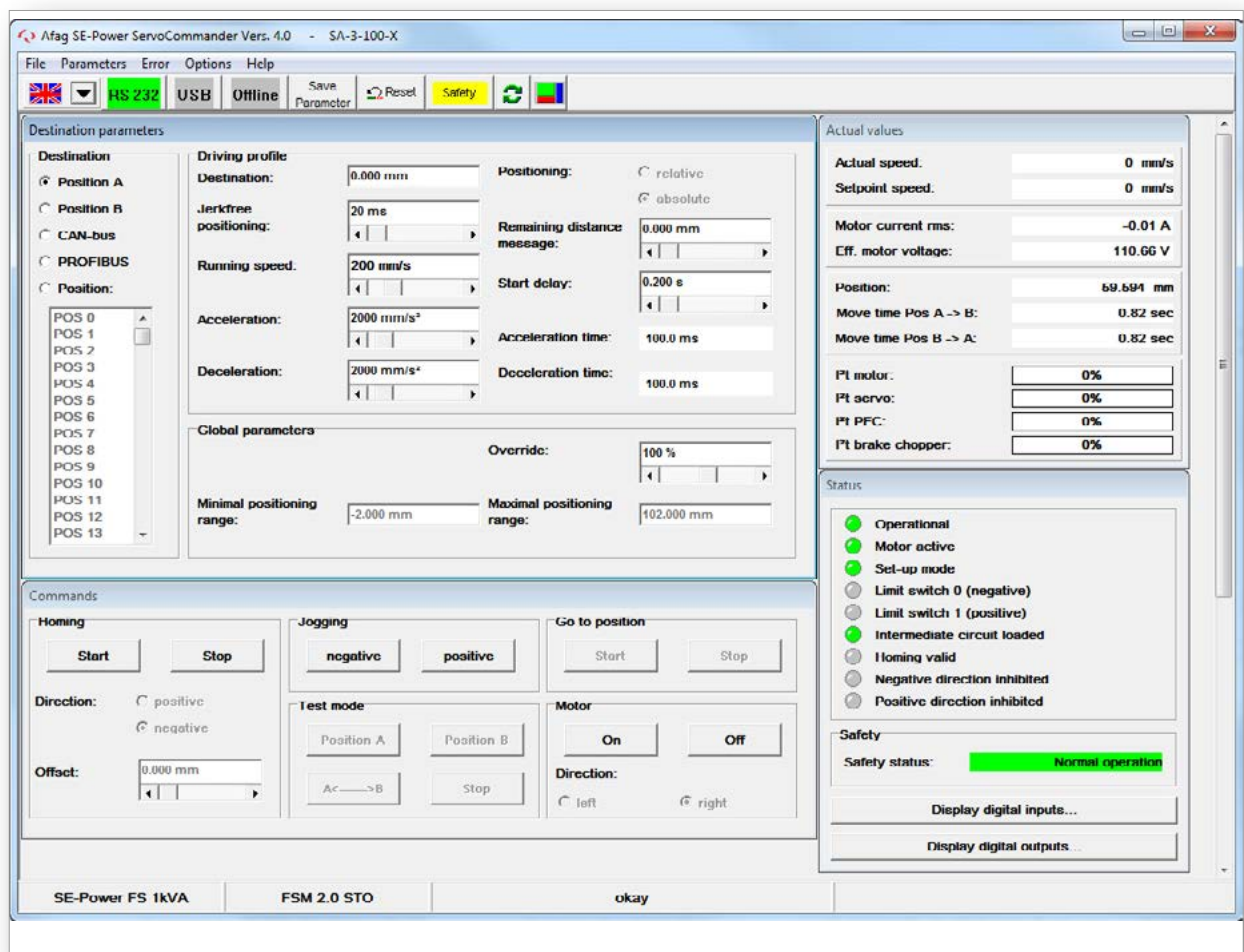
- › Quick
- › Precise
- › Compact
- › Flexible

Your advantages:

- › Extremely short workpiece carrier change times
Depending on the workpiece carrier weight and cycle step length 0,1 – 0,5 seconds/cycle
The time for workpiece carrier transport is reduced to a minimum
- › Flexible cycle step lengths
The servo drive makes various cycle step lengths possible
- › Dimension change at the push of a button
For a dimension change, the user must not undertake any mechanical modifications
- › High precision
Repeat accuracy $\pm 0,05$ mm
- › Flexible sizes
There are two workpiece carrier widths available, along with various lengths
- › Good accessibility
Excellent accessibility is guaranteed due to the linear arrangement of the stations
- › Slim design
Valuable space is saved thanks to the small LTM base
- › Open motor interface
On customer request, we will install commercial drives
- › Delivery times
10 to 12 weeks following receipt of the order
- › No fixed running direction
The LTM can also be operated in the reverse direction



Servo controllers and software

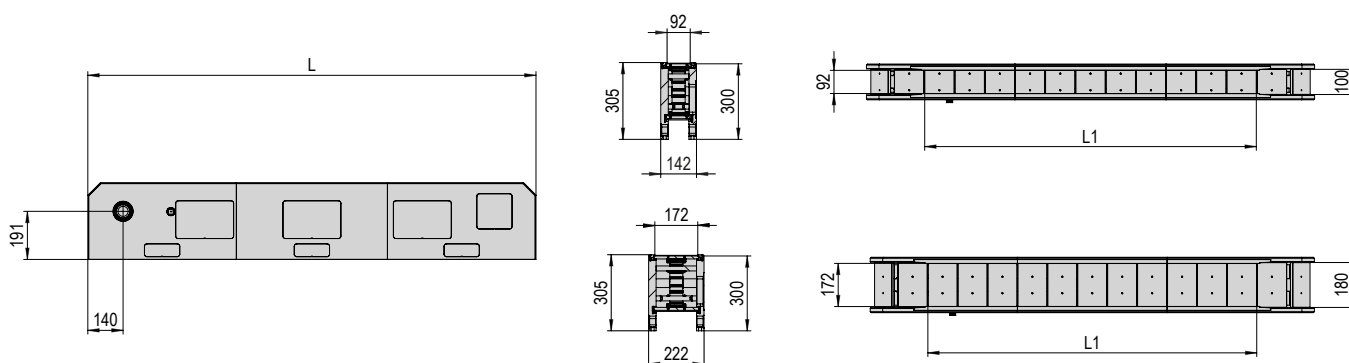


Advantages >>>

- > Intuitive operation
- > Short commissioning
- > Simple programming

Technical data

LTM	
Speed	Up to 180 cycles/min
Repeat accuracy	± 0.05 mm
Infeed lengths	30, 40, 60, 80, 90, 120, 180, 240 mm or continuous operation
Infeed time	0.1 – 0.5 seconds, depending on infeed length and payload
Drilling pattern for WC attachment	Individually according to customer requirement



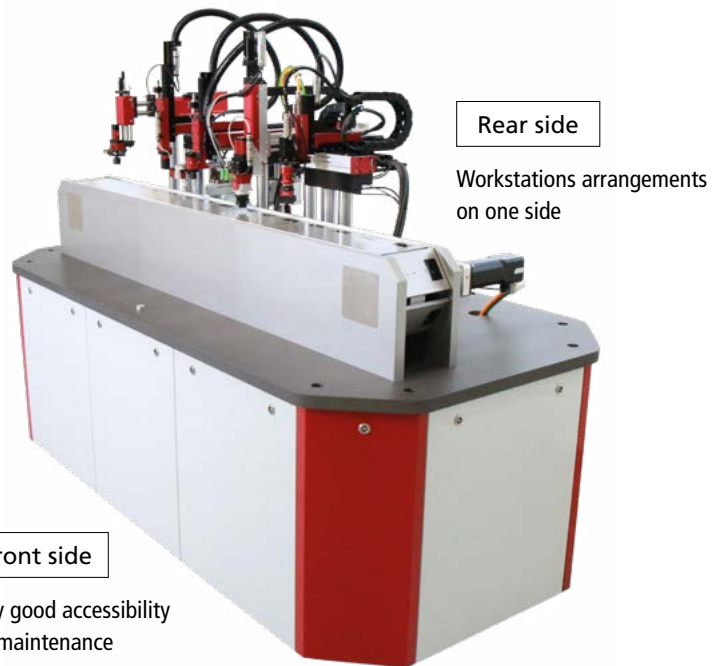
The LTM consists of a drive module, deflection module and 0 to 5 middle modules.

Type	LTM 100-120	LTM 180-120
LTM total length L	L1 + 460 mm	L1 + 460 mm
Working length L1 without middle module	720 mm	720 mm
Working length/middle module	600 mm	600 mm
Maximum working length	3720 mm	3720 mm
Maximum number of middle modules	5	5
Number of WC without middle module	6	6
Additional WC per middle module	5	5
WC length	120 mm	120 mm
WC width A	100 mm	180 mm
WC height	12 mm	12 mm
Maximum usable WC area	80 x 118 mm	160 x 118 mm
Maximum WC nest height	80	80
Maximum payload per WC	3,0 kg	3,0 kg

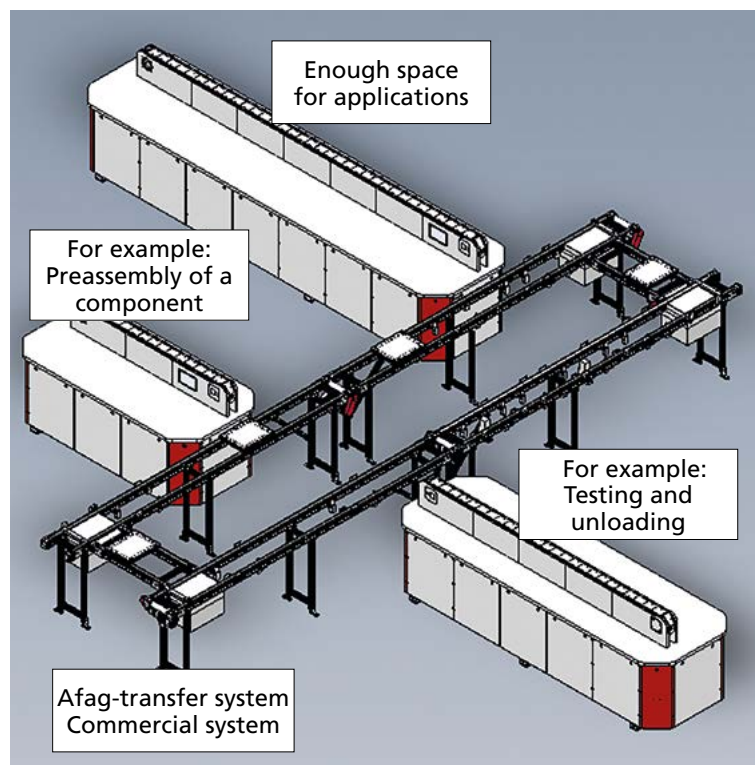
Length graduation	L1
Basic configuration (drive module + deflection module)	720 mm
Basic configuration + 1 middle module	1320 mm
Basic configuration + 2 middle modules	1920 mm
Basic configuration + 3 middle modules	2520 mm
Basic configuration + 4 middle modules	3120 mm
Basic configuration + 5 middle modules	3720 mm

Application possibilities

The LTM can be used as a stand-alone unit or in connection with an assembly line.



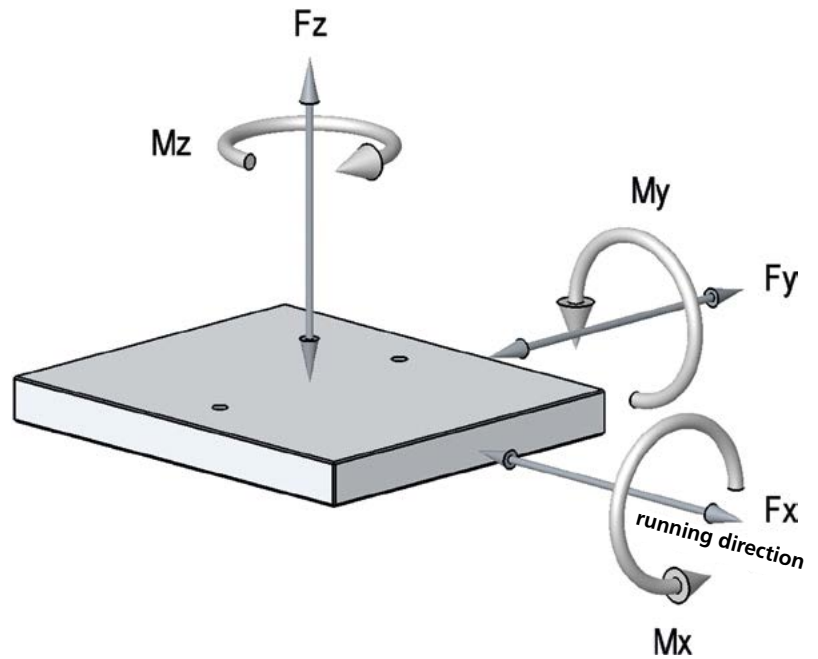
LTM
in connection
with an
assembly line



The workpiece carrier

The workpiece carriers are fixed to the highly precise toothed belt. Two different width varieties of workpiece carrier are available:

- › Width 100 mm, length 120 mm
- › Width 180 mm, length 120 mm
- › Further widths upon request

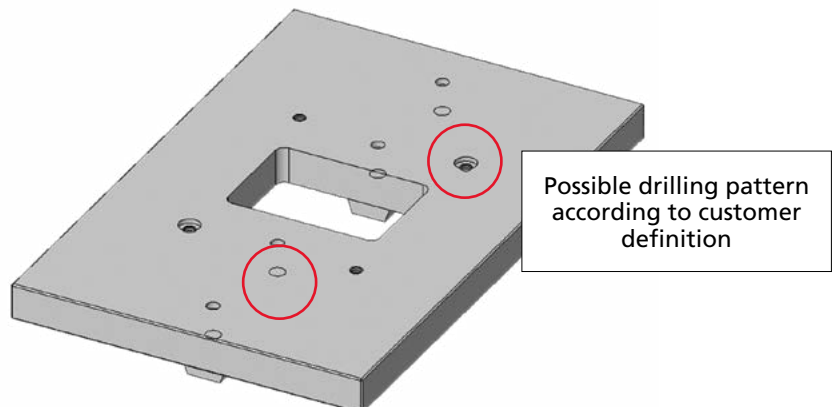


Stress values:

Type	WC width 100 mm	WC width 180 mm
Max. torque Mx	50 Nm	50 Nm
Max. torque My	50 Nm	50 Nm
Max. torque Mz	100 Nm	100 Nm
Max. forces Fx	100 N	100 N
Max. forces Fy	500 N	500 N
Max. forces Fz	5000 N	5000 N

Drilling pattern:

A drilling pattern for customer-provided WC cavities can be individually produced in our factory.



The drive package

The Afag drive package is assembled by our technical specialists according to the customer requirements.

Components:

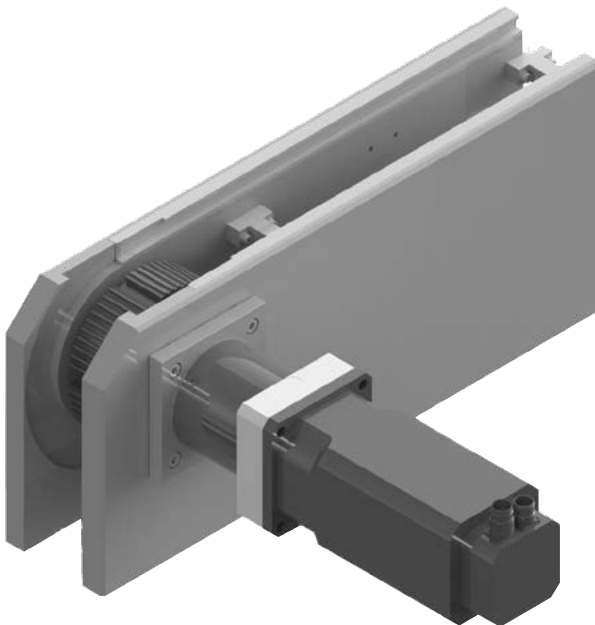
The drive package is comprised of the following components:

- › Mounting kit
- › Planetary gearing
- › Servo motor
- › SE-Power servo controller

Drives:

On customer request, we will install commercial drives:

- › B&R
- › Beckhoff
- › Rexroth Bosch Group
- › Siemens
- › Rockwell Automation
- › Schneider Electric
- › SEW Eurodrive
- › LinMot





**Handling and feeding technology
Afac Automation AG**

Fiechtenstrasse 32
4950 Huttwil
Switzerland

T +41 62 959 86 86
sales@afag.com

**Feeding technology
Afac GmbH**

Wernher-von-Braun-Straße 1
92224 Amberg
Germany

T +49 9621 650 27-0
sales@afag.com

**Handling systems
eps GmbH**

Gewerbstraße 11
78739 Hardt
Germany

T +49 7422 560 03-0
info@eps-automation.de

**Afac Automation Nordamerika
Schaeff Machinery & Services LLC.**

820 Fessler's Parkway, Suite 210
Nashville, TN 37210
USA

T +1 (615) 730-7515
nashville@afag.com

**Afac Automation Asien
Afac Automation Technology (Shanghai) Co., Ltd.**

Room 102, 1/F, Bldg. 56, City Of Elite
No.1000, Jinhai Road, Pudong New District
Shanghai, 201206
China

T +86 021 58958065
shanghai@afag.com

**Engineering
Technisches Büro Pöhler GmbH**

Gottlieb-Daimler-Straße 43
89150 Laichingen
Germany

T +49 7333 9614-0
info@tb-poeehler.de

**Engineering
TBK GmbH**

Friedrich-Bauer-Str. 27
73642 Welzheim
Germany

T +49 7182 93690-0
info@tbk-gmbh.eu

V05

