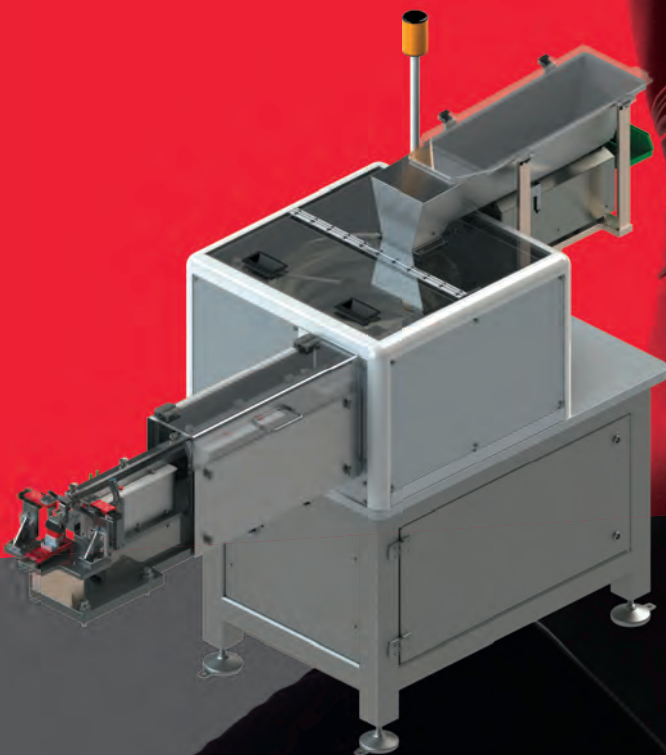




Clean Room  
**More than  
motion.**

Yesterday. Today. Tomorrow.



## Clean Room Feeding Systems- Because Cleanliness Begins From the Start

Clean room applications,

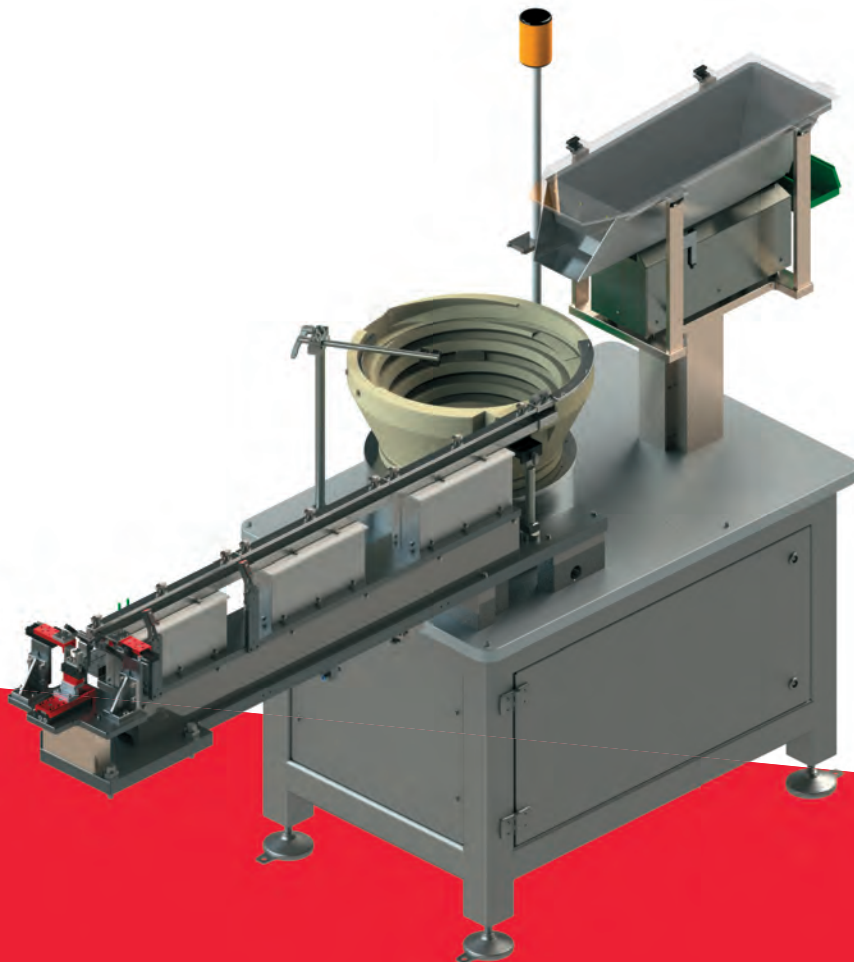
We provide feeding solutions that conform to clean room feeding classes using either US FED STD 209E cleanroom standards or ISO 14644-1 cleanroom standards. These specialized solutions are used within clean rooms and consist of customer specificifications, requirements and regulations.

Afag is your competent partner within these areas from design through production. Afag provides suitable individually tailored feeding systems.

Afag would like to create the future together using our people, technology, innovation, simplicity and partnership with our customers.

We analyze, collaborate and find efficient solutions for many complex tasks and challenges. We strive to meet all your requirements, while designing a precise vibratory feeding system. Afag has provided solutions all over the globe for many clean room class applications, and are available to provide assistance.

Afag offers our FDA approved and certified, white polyamide vibratory feeding bowls for todays medical and pharmaceutical industries, along with that of stainless steel or hard-coated aluminum. Let's talk and together we will configure your solution.



# Clean Room Feeding Systems

## MedCat I & II

Our MedCat series I & II offers you an Afag feeding system, which also meets the requirements of the cosmetic and diagnostic industries.

How is it different from Afag standard solutions?

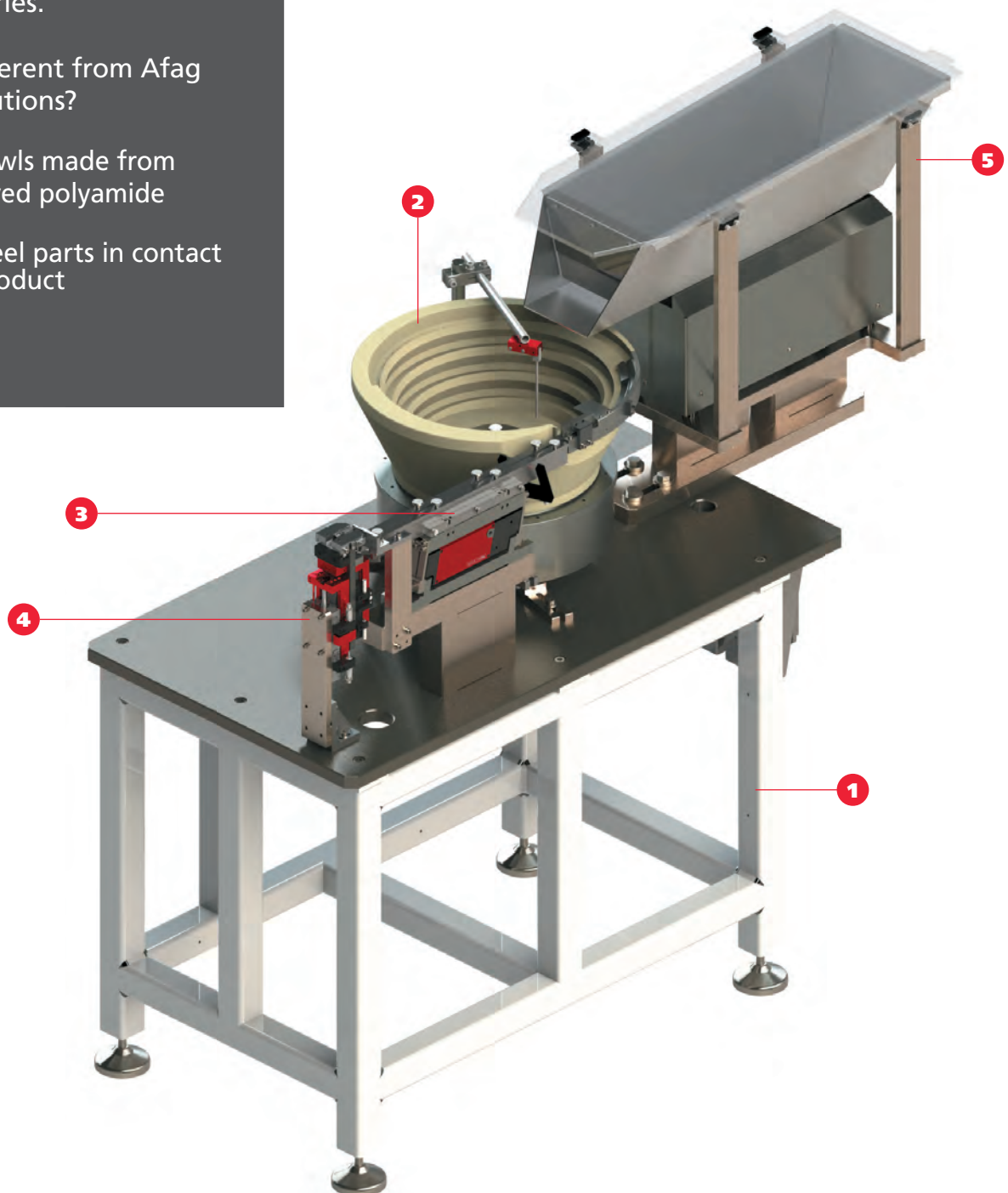
- › Feeding bowls made from FDA approved polyamide
- › Stainless steel parts in contact with the product

The differences:

The material of the substructures, consoles, brackets, and the table top:

**MedCat I: Blue chromated steel**

**MedCat II: chemically nickel-plated steel**







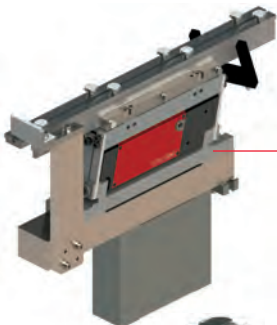
### 1 Base frame

- › Powder-coated welded base frame



### 2 Bowl

- › Feeding bowl made of polyamide, white with FDA approval
- › Alternatively: Feeding bowls made of stainless steel, aluminum, or hard-coated
- › Stainless steel is used instead of steel for parts in contact with the product used
- › If necessary, the bowl can be covered with polycarbonate, e.g. Macrolon, can be used as a cover (foldable or swivel)
- › In addition, both particle ejection, and quick emptying options are also possible



### 3 Linear track

- › Linear sections are made of stainless steel
- › A hard-coated aluminum version is available on request



### 4 Separation / singulation

- › Steel parts in contact with the product, such as grippers or End position pieces are made of stainless steel



### 5 Hopper

- › Stainless steel hopper chute, possibly with FDA-approved coating
- › On request, the hopper channel can be made with polycarbonate, For example, Macrolon can be used as a cover

# Clean room Feeding systems MedCat III & IV

Our MedCat III & IV offers an Afag feeding system, which especially for the high tech medical, medical device, and pharmaceutical industry is suitable.

What distinguishes this special feeding system from others?

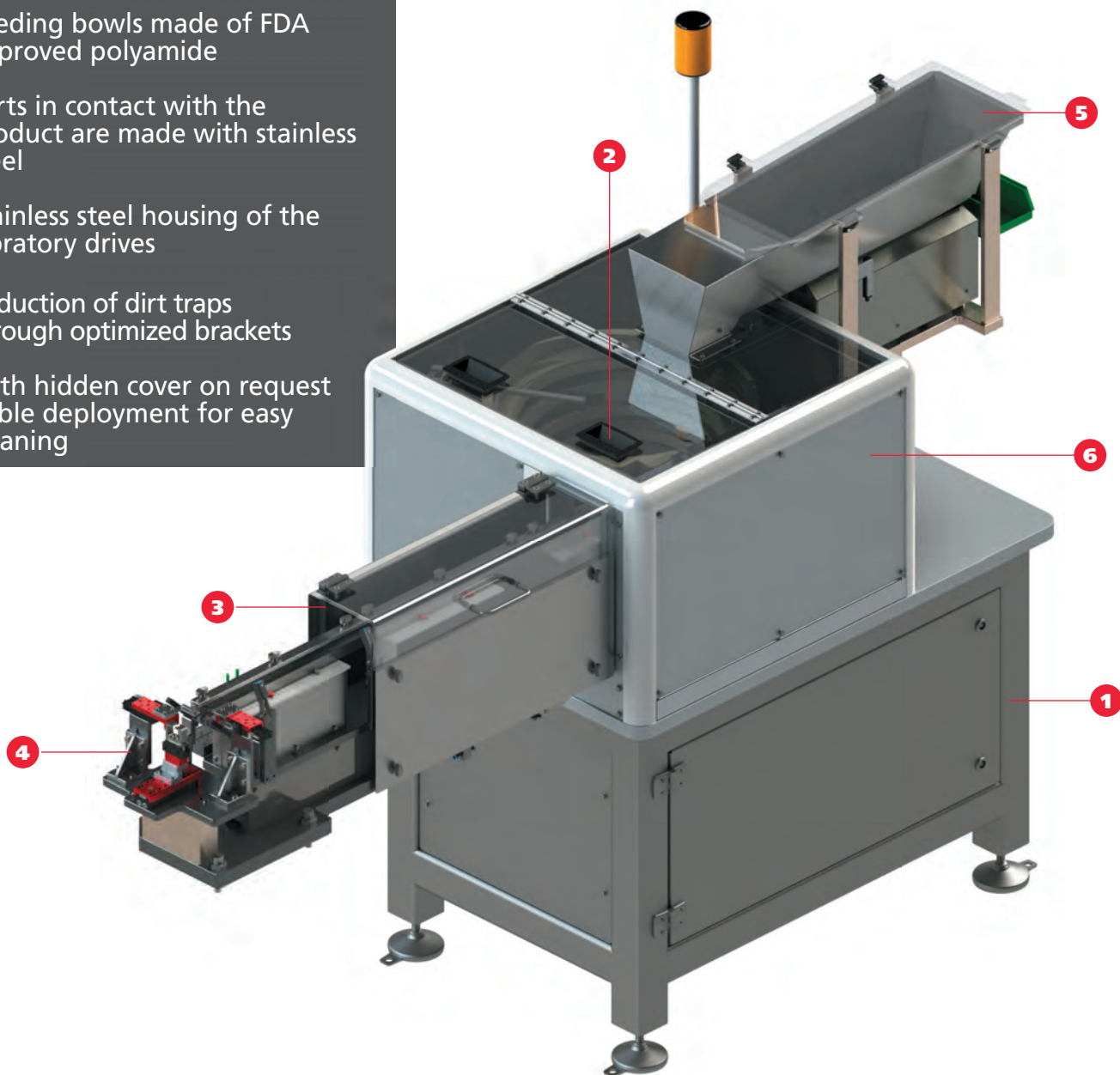
- › Feeding bowls made of FDA approved polyamide
- › Parts in contact with the product are made with stainless steel
- › Stainless steel housing of the vibratory drives
- › Reduction of dirt traps through optimized brackets
- › With hidden cover on request  
Cable deployment for easy cleaning

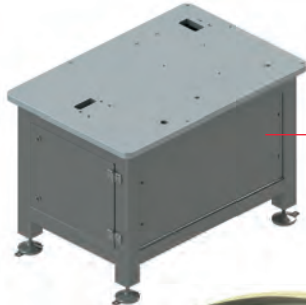
## The differences!

The material of the substructures, consoles, brackets and the table top:

**MedCat III:** chemically nickel-plated steel

**MedCat IV:** stainless steel, as well as a table top made of anodized aluminum





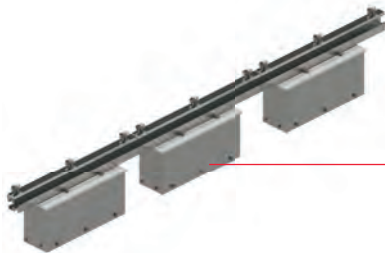
### 1 Base frame

- › Ceramic-blasted stainless steel base frame
- › On request with side doors or cover plates



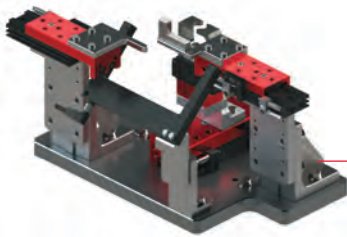
### 2 Bowl

- › Feeding bowl made of polyamide, white with FDA approval
- › Alternatively: feeding bowls made of stainless steel or aluminum, hard-coated
- › Complete shrouding of the vibration drive
- › Stainless steel is used for parts in contact with the product.
- › If necessary the bowl can be covered with polycarbonate, e.g. Macrolon, to be used as a cover (foldable or swivel)
- › In addition, both are particle ejection as well as quick emptying capable



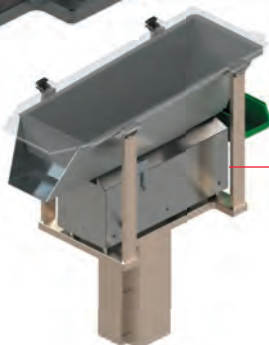
### 3 Linear Track

- › Linear sections are made of stainless steel
- › An aluminum version is available on request, hard-coated possible
- › Complete shrouding of the vibration drive



### 4 Separation / singulation

- › Steel parts in contact with the product, such as grippers or end position pieces are made of stainless steel



### 5 Hopper

- › Stainless steel hopper chute, possibly with FDA approval coating
- › On request the hopper channel can be made with polycarbonate. For example: Macrolon can be used as a cover



### 6 Housing of all kinds

- › Individual modules of the feeder in polycarbonate, aluminum or stainless steel can be housed



# Clean Room Feeding Systems- Specification of the Categories



		MedCat I	MedCat II	MedCat III	MedCat IV
Base plate	<input type="checkbox"/>	<input type="checkbox"/> Steel blue chromed, 20 mm	<input type="checkbox"/> Steel chemically nickel-plated, 20 mm	<input type="checkbox"/> Steel chemically nickel-plated, 20 mm	<input type="checkbox"/> Aluminium anodized, 30 mm
Base frame	<input type="checkbox"/>	<input type="checkbox"/> Welding frame powder coated	<input type="checkbox"/> Welding frame powder coated	<input type="checkbox"/> Stainless Steel ceramic-blasted	<input type="checkbox"/> Stainless Steel ceramic-blasted
Paneling	<input type="checkbox"/>	<input type="checkbox"/> Steel sheet powder coated	<input type="checkbox"/> Steel sheet powder coated	<input type="checkbox"/> Stainless Steel polished	<input type="checkbox"/> Stainless Steel polished
Feeder bowl	<input type="checkbox"/>	<input type="checkbox"/> Polyamide White (FDA approved)	<input type="checkbox"/> Polyamide White (FDA approved)	<input type="checkbox"/> Polyamide White (FDA approved)	<input type="checkbox"/> Polyamide White (FDA approved)
	<input type="checkbox"/>	<input type="checkbox"/> Stainless Steel (303)	<input type="checkbox"/> Stainless Steel (303)	<input type="checkbox"/> Stainless Steel (303)	<input type="checkbox"/> Stainless Steel (303)
	<input type="checkbox"/>	<input type="checkbox"/> Aluminium hard-coated	<input type="checkbox"/> Aluminium hard-coated	<input type="checkbox"/> Aluminium hard-coated	<input type="checkbox"/> Aluminium hard-coated
Substructure feeding bowl	<input type="checkbox"/>	<input type="checkbox"/> Mounting plate round Steel blue chromed	<input type="checkbox"/> Mounting plate round Steel chemically nickel-plated	<input type="checkbox"/> Mounting plate round Steel chemically nickel-plated	<input type="checkbox"/> Mounting plate round Stainless Steel
	<input type="checkbox"/>	<input type="checkbox"/> Without enclosure of levelling feet	<input type="checkbox"/> Without enclosure of levelling feet	<input type="checkbox"/> With enclosure of levelling feet	<input type="checkbox"/> With enclosure of levelling feet
Bowl cover	<input type="checkbox"/>	<input type="checkbox"/> Marcolon 8 mm	<input type="checkbox"/> Marcolon 8 mm		
Hardware	<input type="checkbox"/>	<input type="checkbox"/> Steel blue chromed	<input type="checkbox"/> Steel chemically nickel-plated	<input type="checkbox"/> Steel chemically nickel-plated	<input type="checkbox"/> Stainless Steel
Coating	<input type="checkbox"/>	<input type="checkbox"/> MetaLine GU1123, Ceramin blasting	<input type="checkbox"/> MetaLine GU1123, Ceramin blasting	<input type="checkbox"/> MetaLine GU1123, Ceramin blasting	<input type="checkbox"/> MetaLine GU1123, Ceramin blasting
Particle ejection	<input type="checkbox"/>		<input type="checkbox"/> with ejection + box, plastic	<input type="checkbox"/> with ejection + box, plastic	<input type="checkbox"/> with ejection + box, FDA-plastic
Sorting bowl and bowl outlet	<input type="checkbox"/>	<input type="checkbox"/> Stainless Steel (440B / 440C)	<input type="checkbox"/> Stainless Steel (440B / 440C)	<input type="checkbox"/> Stainless Steel (440B / 440C)	<input type="checkbox"/> Stainless Steel (440B / 440C)
Linear track	<input type="checkbox"/>	<input type="checkbox"/> Stainless Steel (440B / 440C)	<input type="checkbox"/> Stainless Steel (440B / 440C)	<input type="checkbox"/> Stainless Steel (440B / 440C)	<input type="checkbox"/> Stainless Steel (440B / 440C)
	<input type="checkbox"/>	<input type="checkbox"/> Aluminium hard-coated	<input type="checkbox"/> Aluminium hard-coated	<input type="checkbox"/> Aluminium hard-coated	<input type="checkbox"/> Aluminium hard-coated
Sub structure linear feeder	<input type="checkbox"/>	<input type="checkbox"/> Without enclosure	<input type="checkbox"/> Without enclosure	<input type="checkbox"/> With enclosure	<input type="checkbox"/> With enclosure
	<input type="checkbox"/>	<input type="checkbox"/> Steel blue chromed	<input type="checkbox"/> Steel chemically nickel-plated	<input type="checkbox"/> Steel chemically nickel-plated	<input type="checkbox"/> Stainless Steel
Particle ejection	<input type="checkbox"/>		<input type="checkbox"/> With ejection + box, plastic	<input type="checkbox"/> With ejection + box, plastic	<input type="checkbox"/> With ejection + box, FDA-plastic
Fixations for sensors	<input type="checkbox"/>	<input type="checkbox"/> Steel blue chromed	<input type="checkbox"/> Steel chemically nickel-plated	<input type="checkbox"/> Steel chemically nickel-plated	<input type="checkbox"/> Stainless Steel
Nest adapter	<input type="checkbox"/>	<input type="checkbox"/> Steel blue chromed	<input type="checkbox"/> Steel chemically nickel-plated	<input type="checkbox"/> Steel chemically nickel-plated	<input type="checkbox"/> Stainless Steel
	<input type="checkbox"/>	<input type="checkbox"/> Aluminium hard-coated	<input type="checkbox"/> Aluminium hard-coated	<input type="checkbox"/> Aluminium hard-coated	<input type="checkbox"/> Aluminium anodized
Material	<input type="checkbox"/>	<input type="checkbox"/> Stainless Steel (440B / 440C)	<input type="checkbox"/> Stainless Steel (440B / 440C)	<input type="checkbox"/> Stainless Steel (440B / 440C)	<input type="checkbox"/> Stainless Steel (440B / 440C)
Refilling unit	<input type="checkbox"/>	<input type="checkbox"/> Stainless Steel	<input type="checkbox"/> Stainless Steel	<input type="checkbox"/> Stainless Steel	<input type="checkbox"/> Stainless Steel
Hopper support structure	<input type="checkbox"/>	<input type="checkbox"/> Without enclosure	<input type="checkbox"/> Without enclosure	<input type="checkbox"/> with enclosure	<input type="checkbox"/> with enclosure
	<input type="checkbox"/>	<input type="checkbox"/> Steel blue chromed	<input type="checkbox"/> Steel chemically nickel-plated	<input type="checkbox"/> Steel chemically nickel-plated	<input type="checkbox"/> Stainless Steel
Switch bracket	<input type="checkbox"/>	<input type="checkbox"/> Steel blue chromed	<input type="checkbox"/> Steel chemically nickel-plated	<input type="checkbox"/> Steel chemically nickel-plated	<input type="checkbox"/> Stainless Steel
Cover	<input type="checkbox"/>	<input type="checkbox"/> Marcolon 8 mm	<input type="checkbox"/> Marcolon 8 mm	<input type="checkbox"/> Polycarbonat (Makrolon) 8 mm	<input type="checkbox"/> Polycarbonat (Makrolon) 8 mm
Brackets for covers	<input type="checkbox"/>	<input type="checkbox"/> Steel blue chromed	<input type="checkbox"/> Steel chemically nickel-plated	<input type="checkbox"/> Steel chemically nickel-plated	<input type="checkbox"/> Stainless Steel

Our specification is also available for download under the following link:

<https://www.afag.com/de/zufuehren/zufuehrloesungen/reinraum-zufuehrloesungen.html>

Please send the completed specification to your Afag contact.



**Handling and Feeding Technology**

**Afag Automation AG**

Fiechtenstrasse 32  
4950 Huttwil  
Switzerland

Phone +41 62 959 86 86  
sales@afag.com

**Feeding Technology**

**Afag GmbH**

Wernher-von-Braun-Straße 1  
92224 Amberg  
Germany

Phone +49 9621 650 27-0  
sales@afag.com

**Handling Systems**

**Afag Hardt GmbH**

Gewerbestraße 11  
78739 Hardt  
Germany

Phone +49 7422 560 03-0  
sales@afag.com

**Afag Automation North America  
Schaeff Machinery & Services LLC.**

820 Fessler's Parkway, Suite 210  
Nashville, TN 37210  
USA

Phone +1 (615) 730-7515  
nashville@afag.com

**Afag Automation Asia**

**Afag Automation Technology (Shanghai) Co., Ltd.**

Room 102, 1/F, Bldg. 56, City Of Elite  
No.1000, Jinhai Road, Pudong New District  
Shanghai, 201206  
China

Phone +86 021 58958065  
shanghai@afag.com

**Afag Engineering**

**Location Laichingen**

**Technical Office Pöhler GmbH**

Gottlieb-Daimler-Straße 43  
89150 Laichingen  
Germany

Phone +49 7333 9614-0  
engineering@afag.com

**Afag Engineering**

**Location Welzheim**

**TBK GmbH**

Friedrich-Bauer-Straße 27  
73642 Welzheim  
Germany

Phone +49 7182 93690-0  
engineering@afag.com

V02

